

INSTALLATION GUIDE

Poise Adjustable Floor Lamp

Thoughtful lighting, responsibly designed in London.

Thank you for making the switch to Tala.
Discover the full Tala family at tala.co.uk

BEFORE STARTING

Please read instructions thoroughly before installation and keep them for future reference. Please take extreme care when dealing with electrical equipment.

WARNING

Bulbs must be installed in fixture before turning on.

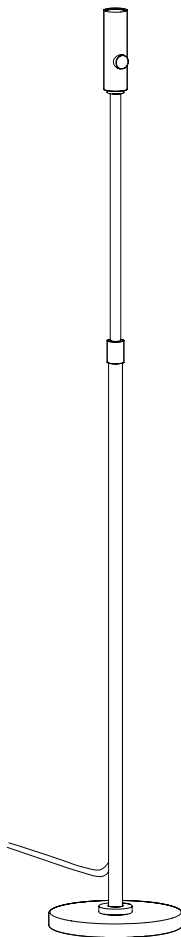
Ensure power is turned OFF before inserting plug.

CARE AND CLEANING

We recommend cleaning with a soft dry cloth. Do not use abrasive materials as these will damage the finish of the product. Do not use alcohol or other solvents.



Scan me for more technical help

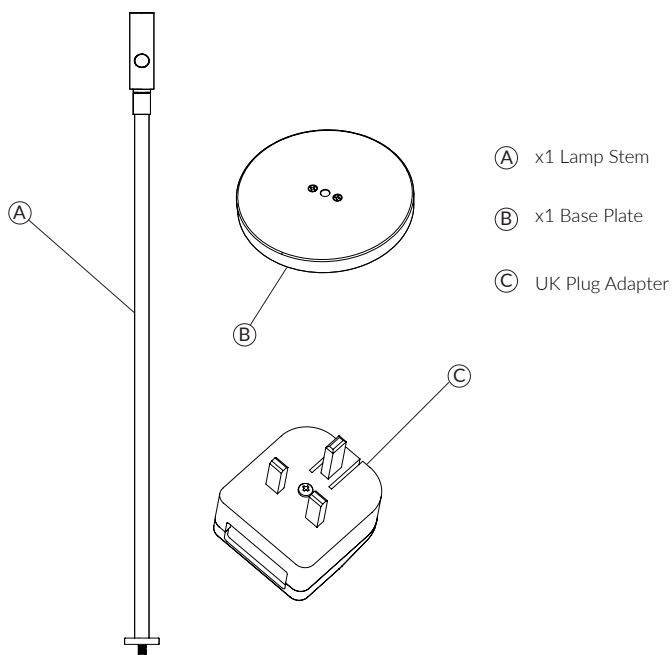


SKU - GRAP-FL-01-EU
SKU - BRAS-FL-01-EU
SKU - NICK-FL-01-EU



This symbol  indicates that electrical and electronic equipment (WEEE) should not be mixed with general household waste. For recovery and recycling, please take this product to a designated collection point where it will be accepted free of charge. Many retailers offer this in-store. Disposing of this product correctly will help save valuable resources and prevent any potential negative effects on human health and the environment.

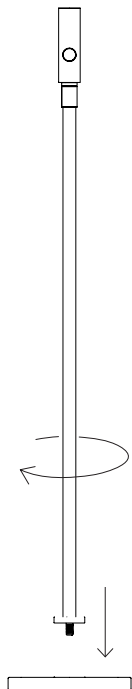
POISE ADJUSTABLE FLOOR LAMP - PROVIDED COMPONENTS

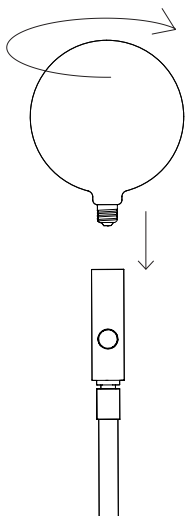


STEP 1

Place the base on the floor.
Screw the Lamp Stem (A) into the centre of the Base Plate (B) turning clockwise until tight.

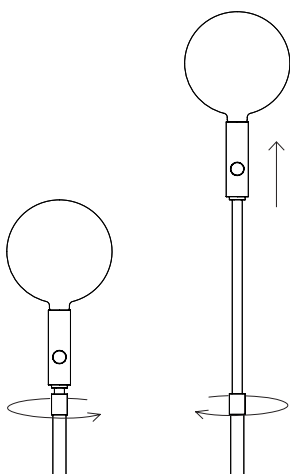
Be careful not to tangle the cable around the stem.





STEP 2

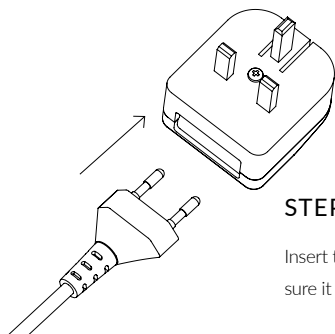
Insert the bulb into the top of the Lamp Stem and rotate clockwise until tight.



STEP 3

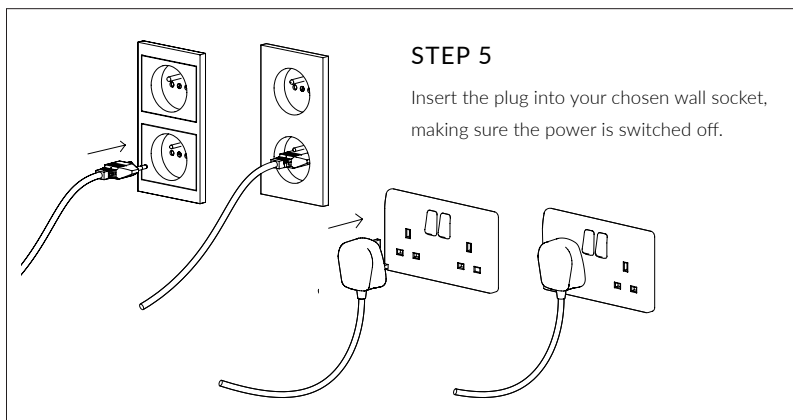
To adjust the height, loosen the central clutch by turning the handle anti-clockwise and gently slide the top half of the pole up or down until it reaches your desired height.

Turn the clutch clockwise to tighten.



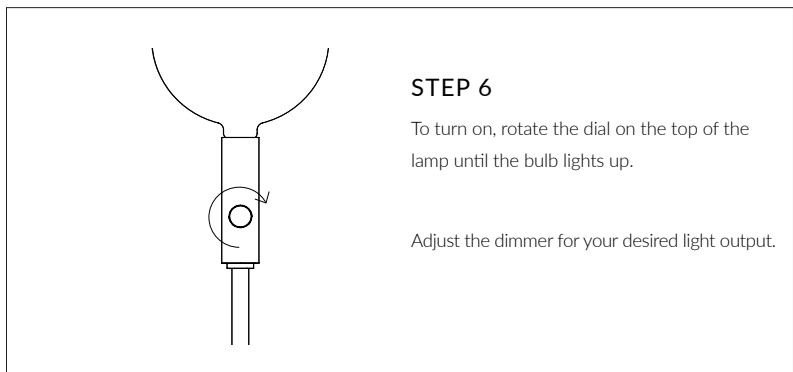
STEP 4 - FOR UK ONLY

Insert the EU plug into the UK Adapter, making sure it clicks-in and does not come loose.



STEP 5

Insert the plug into your chosen wall socket, making sure the power is switched off.



STEP 6

To turn on, rotate the dial on the top of the lamp until the bulb lights up.

Adjust the dimmer for your desired light output.

WARRANTY AND AFTER-CARE

This product has a two-year warranty. If there appears to be a functional defect with the product during this time, please contact our team at customerservice@tala.co.uk.

Please note, the flexible cable attached to this luminaire cannot be replaced; if the cable is damaged, recycle the luminaire and seek a replacement.

REGISTER YOUR PRODUCT

Extend your warranty on this product to up to five years - free of charge. Scan the QR code below to register:



Join the Community

Instagram: @tala | Facebook: talaHQ | Pinterest: TalaLED | Tag: lighttoliveby
Tala Studios, 25B Vyner Street, London E2 9DG | hello@tala.co.uk
Tala Europe B.V, Bertus Aafjeshove 40, Nieuwegein 3437JN, Netherlands