

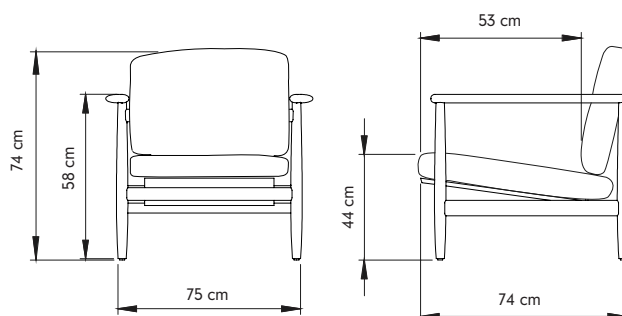
POLSPOTTEN



Chair Todd

Fact Sheet

The Todd Chair is one of those pieces that looks like it would be called Todd if it were a person. We've developed a refined and super soft lounge chair for the 2021 collection. Its minimal design and simple features embrace the idea of pure functional design. The frame follows smooth lines and is totally handcrafted.



Design by	POLSPOTTEN studio 2020
About the designer	This item is designed in our very own POLSPOTTEN studio
Category	Furniture - Chairs
Environment	Indoor
Preassembled	Yes
Material & Finish	Frame: The frame of the chair is made of stained ashwood (FSC 100% certified) Cushioning: The seat cushion is made of cotton doll, duck's down, sponge (HR foam) and silk cotton. Sponge density 38kg/m ³ . Back cushion: The back cushion is made of cotton doll, duck's down, sponge and silk cotton. Sponge density 28kg/m ³ .
Gliders	Plastic gliders are mounted
Upholstery	The Chair Simply is standard available in the following upholstery: Alpine: 96% polyester, 4% polyacryl / >75.000 martindale / color fastness level 5 Boho: The furniture is upholstered with 100% polyester / >70.000 martindale / color fastness level >5 Swell: 15% wool 30% recycled polyester 8% recycled PA 47% polyester fill upholstery / 90.000 martindale/ colorfastness 4
Cleaning & Care	Care and maintenance instructions can be downloaded on the product page of this item at: webshop.polspotten.com or contact your account manager for more specific cleaning & care information.
Packaging	Packed in strong export carton. Size: 76,5 x D76,5 x H76,5 cm Weight: 17,45 kg

Made-to-order

Please contact your account manager for a specific custom made request.

Textile use for customized upholstery

2,5 meters with a fabric width of 1.4 meters

Test & Certifications

Alpine fabric: Fire retardant BS5852 Source 0 cigarette proof

FSC certificate code: SGSCH-COC-030018

Boho fabric: CAT B 117-2013

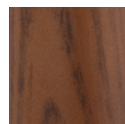
Swell: California Technical Bulletin CATB 117-2013

Downloads

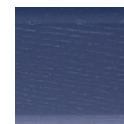
3D files, mood images and packshots are available at the product page of the item at polspotten.nl

Frame

Ashwood



Dark Blue



Alpine Boucle Fabric

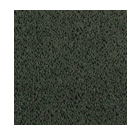
559-020-003

Beige



559-020-004

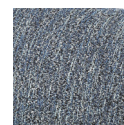
Green



Boho Fabric

587-020-007

Dark Blue



Swell

592-020-001

Dark Blue

