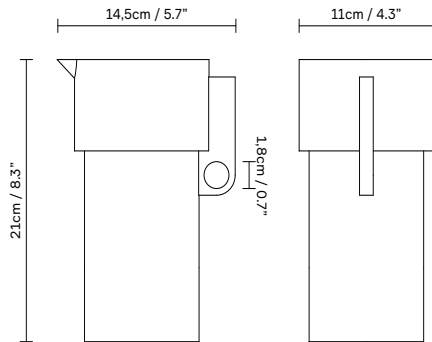


Alcoa Pitcher 1L

Product Fact Sheet

Alcoa Pitcher 1L

No. (3125) Alcoa Pitcher, 1L



Dimensions:

H: 21 cm / 8.3", Ø: 11 cm / 4.3"

Product description:

The Alcoa ceramics line really stands out. It is clear and simple in form. The handle creates a functional and recognizable expression for the line. The surface is a balanced matt grey on the outside and a high gloss grey on the inside to provide a subtle contrast. The name Alcoa refers to the region Alcobaça in Portugal where the ceramics hail from. The region is rich in fine white clay which has cradled a culture of pottery. The Alcoa ceramics line consists of vases in two sizes, a pitcher, and a tray.

Designer's thoughts:

"We took an analytical approach to the design, by applying two contrast properties of forms and colours. This is evident in the geometric lines that form the objects and the contrast used in the finished glaze with matt and high gloss." – Herman Studio

Finish:



Grey matt glazed outside and high gloss glazing on the inside

Made-to-order:

Non-standard configurations (special colors etc.) are available upon request at a minimum order quantity

Product type: Pitcher

Environment: Indoor

Material: Portuguese stoneware

Country of origin: Portugal

Net weight: 900 g / 1.9 lb

Designed by/year of design: Herman Studio, 2018

Pre-assembled: Yes

Contract use: Yes

Note: Dishwasher safe

Warranty: Form & Refine provides a five-year product warranty

Additional resources: [Link to image bank, 2D/3D files](#)