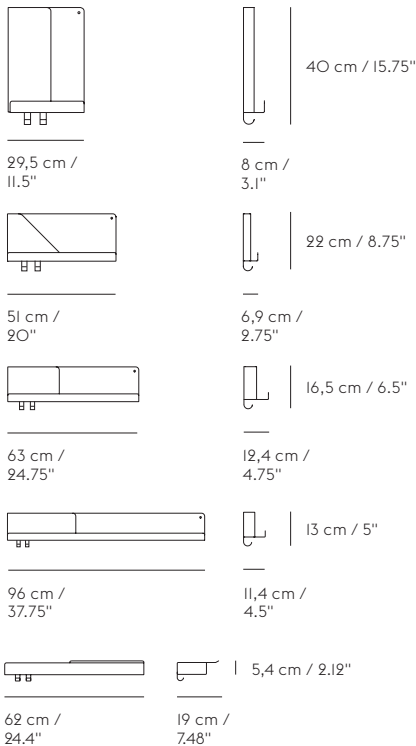




FOLDED SHELVES

JOHAN VAN HENGEL ON THE DESIGN "Inspired by the shadow-play of layers, the Folded Shelves are based on a seemingly simple bending technique, shaping a single sheet of metal into a design that can hold and separate your objects. Featuring a subtle bolt and hooks for hanging objects, the Folded Shelves can be used for both functional and aesthetic purposes, making it suitable for organizing and displaying anything from books, vases, plants or smaller objects."



DESIGNED BY / YEAR OF DESIGN

Johan van Hengel / 2016

ABOUT THE DESIGNER

A problem solver by both nature and training, Johan van Hengel's logical and investigative approach is driven by a desire to enrich everyday objects with new layers of sophistication, individuality and meaning. With a focus on function, materiality and technique, Johan van Hengel invents everyday shapes and objects with a subtle element of surprise.

CATEGORY

Wall mounted shelves

ENVIRONMENT

Indoor

DESCRIPTION

Imitating the look of folded paper yet shaped in metal, the Folded Shelves have a contemporary, functional character. The shelves come with two hooks and two bolts for mounting on the wall. The Folded Shelves are a modern and friendly way to add storage to any home or professional space.

PRODUCTION PROCESS

Laser cut from metal sheets, these shelves go through a folding process. They are then lacquered with an acrylic powder coating.

MATERIAL

Acrylic powder coated bended 1,5 mm sheet of steel. Steel hooks.

CLEANING AND CARE

Remove dust from shelves with a soft cloth. When necessary clean with a moist cloth. If necessary use a little dish soap on the cloth.

