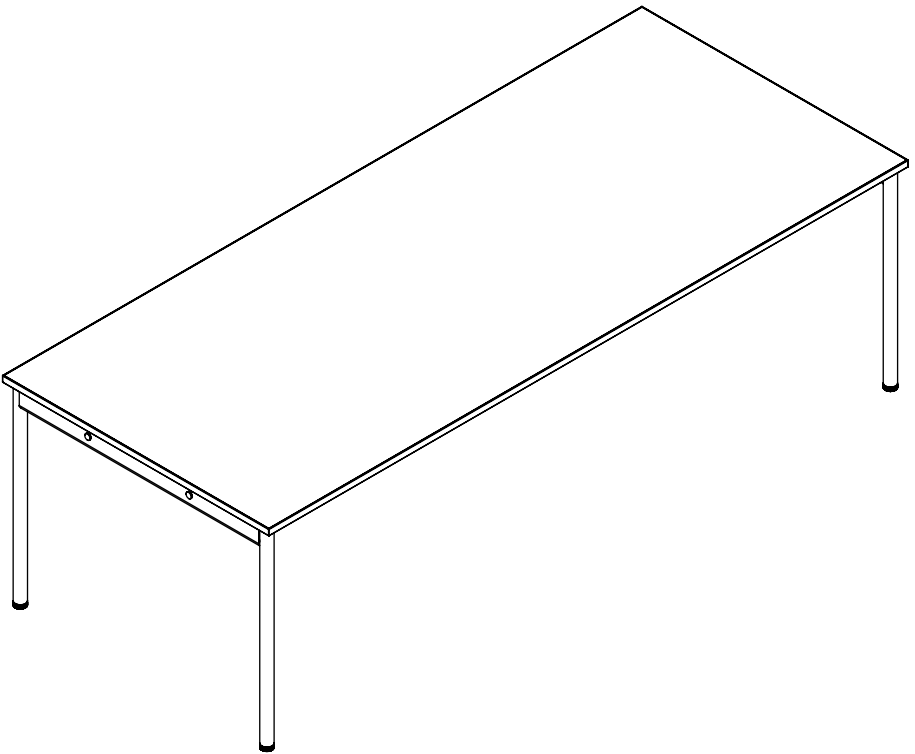


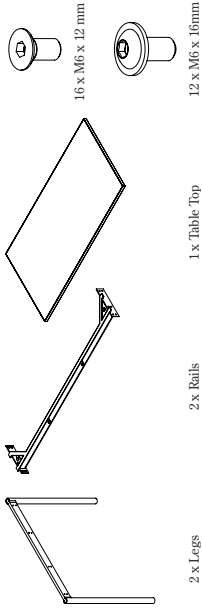
# Audo

CO-T BLE  
Designed by Norm Architects

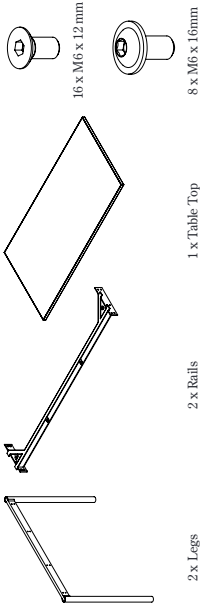


COPENHAGEN

Component overview Co-Table 240x100



Component overview Co-Table 140x70



Tools Needed



Congratulations with your new  
CO-T BLE designed by *Norm Architects*.

We hope you will enjoy using this item and follow these instructions to ensure correct assembly.

These instructions are provided for your safety. It is important that the instructions are read carefully and completely before assembling.

*Caution*

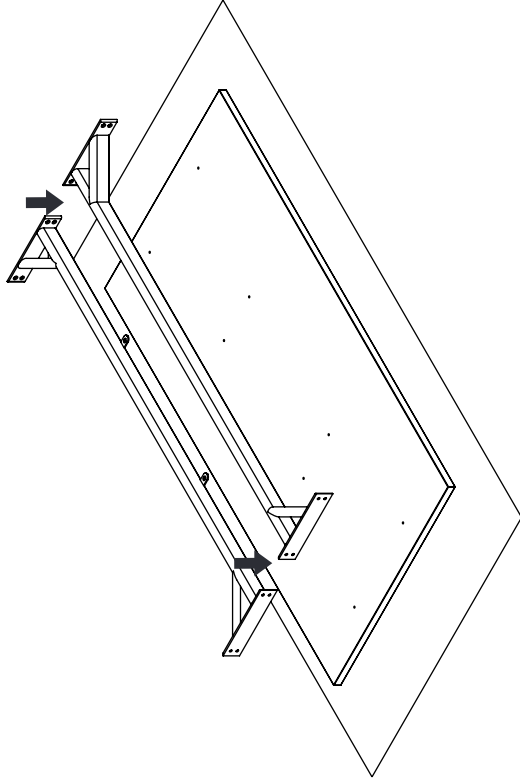
It takes two people to assemble the table. Make sure to assemble on soft and clean surface, such as the cardboard it comes in to avoid scratches.

*Care and maintenance*

Please see care instructions on [www.audocph.com](http://www.audocph.com).

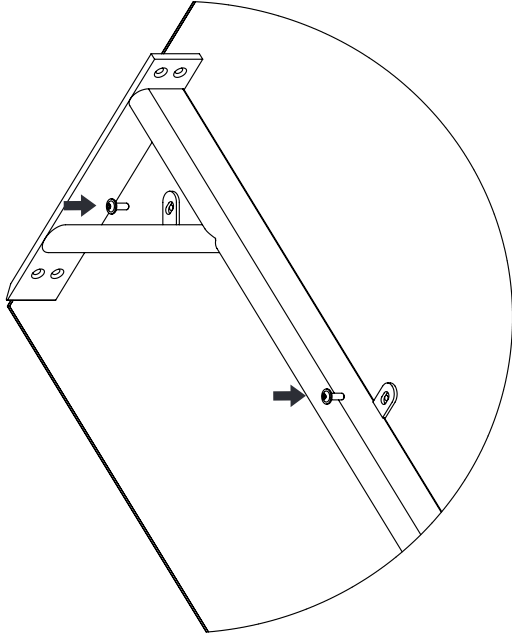
1

Caution.  
Assemble on soft and clean surface.



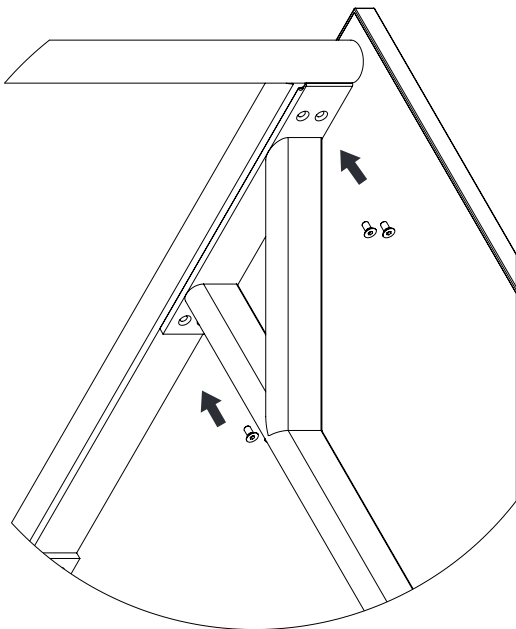
2

Use the allen key and this screw to fasten the rails  
onto the table top.

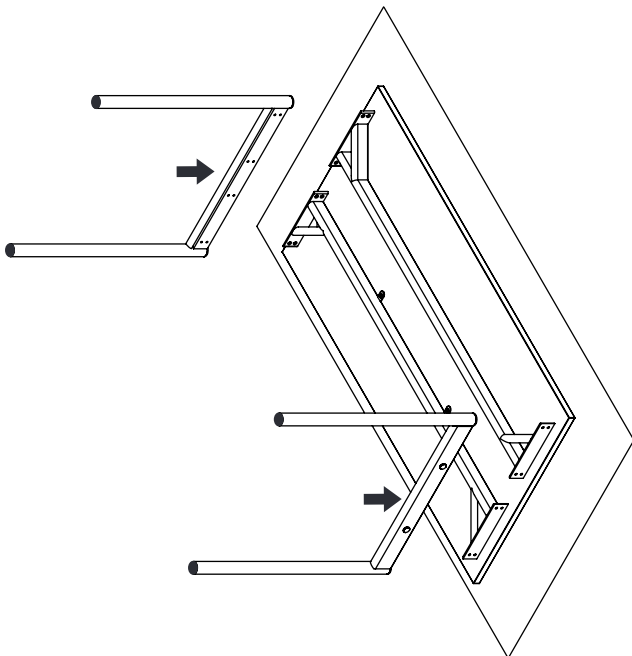


4

Use the same allen key and rest of the screws to fastend the table legs to the rails.

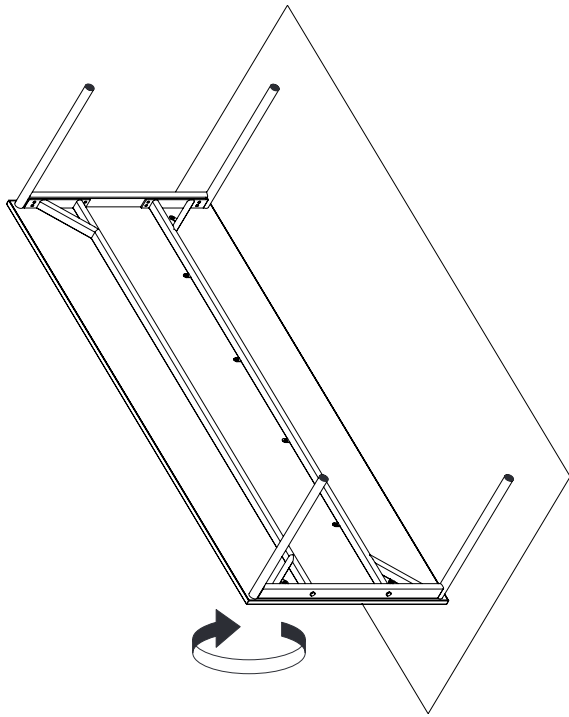


3



Turn the table over onto the feet

5



6

