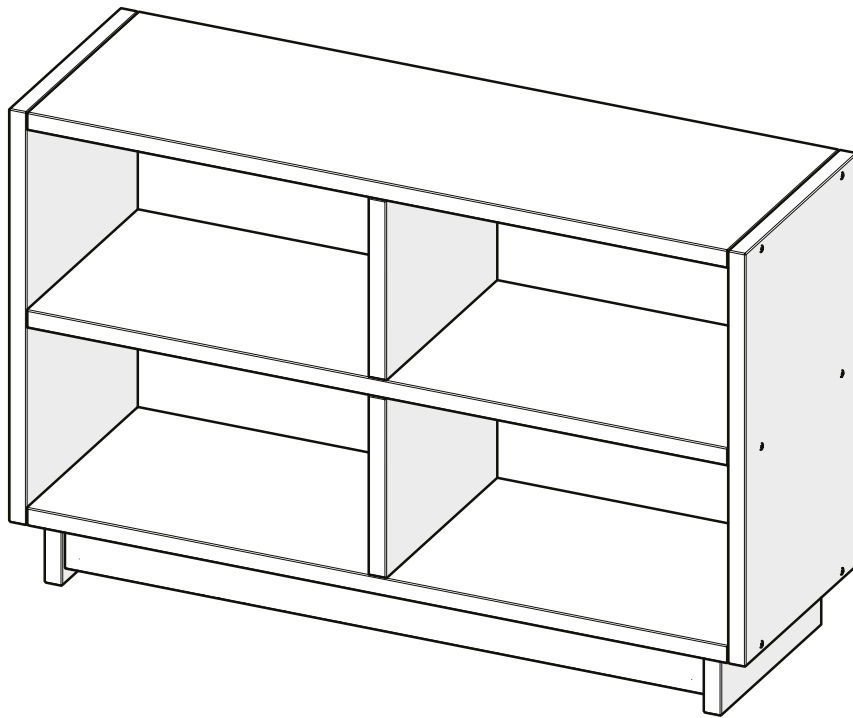


# Plank Bookcase Medium

## Assembly Instructions

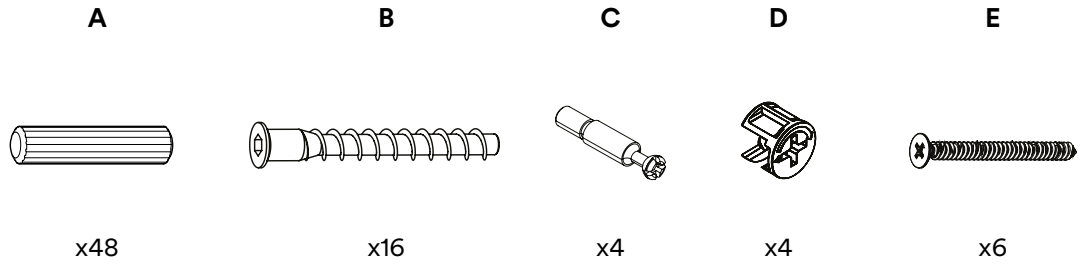


**normann**

C O P E N H A G E N

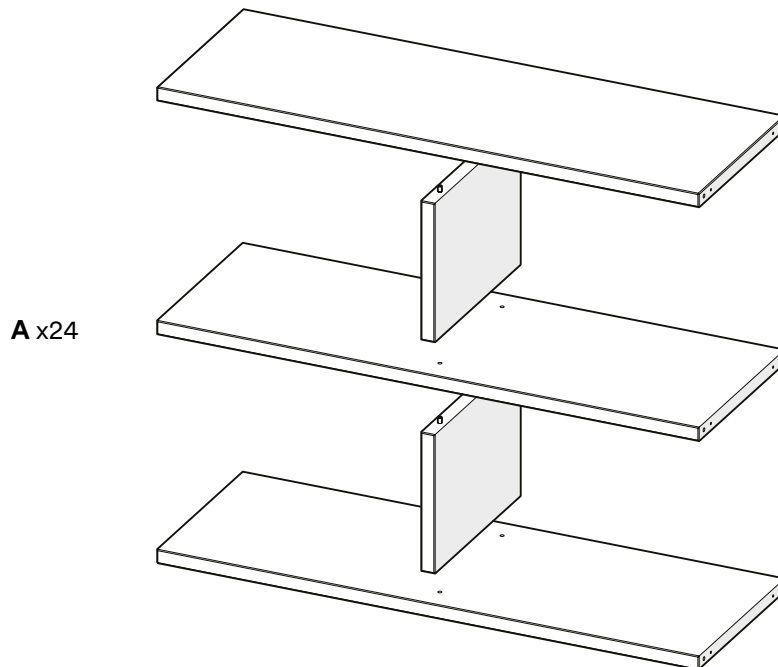
---

# 1

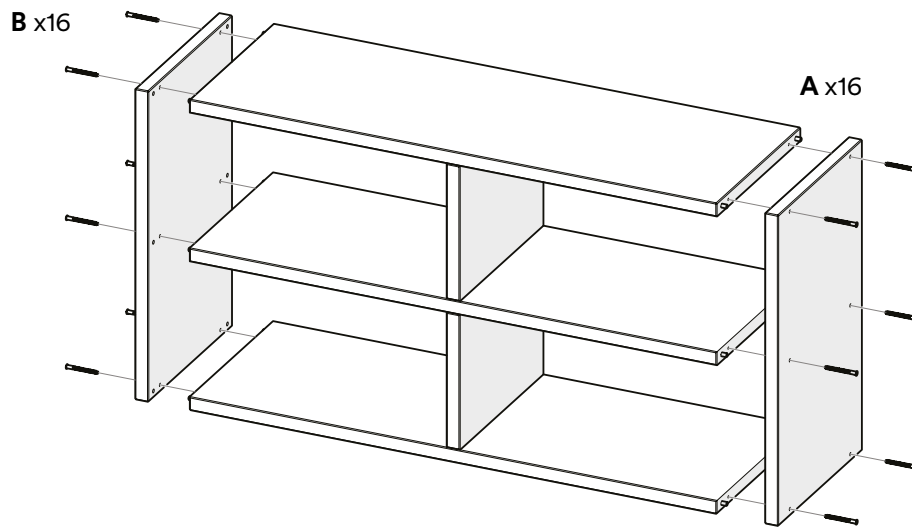


---

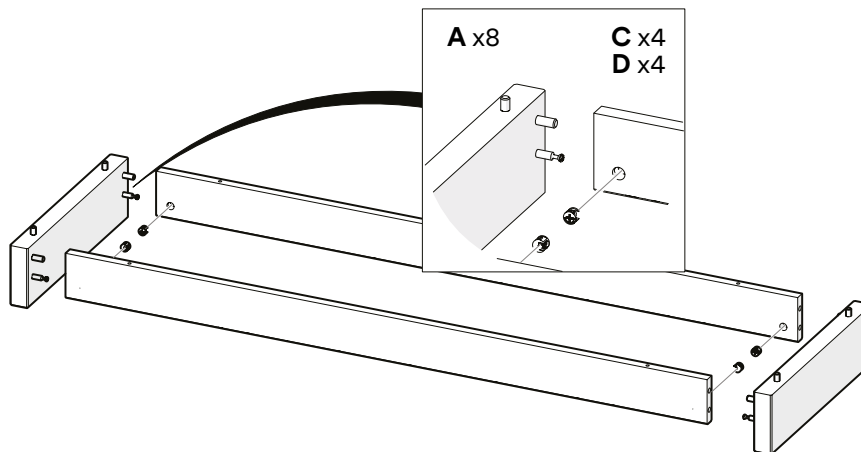
# 2



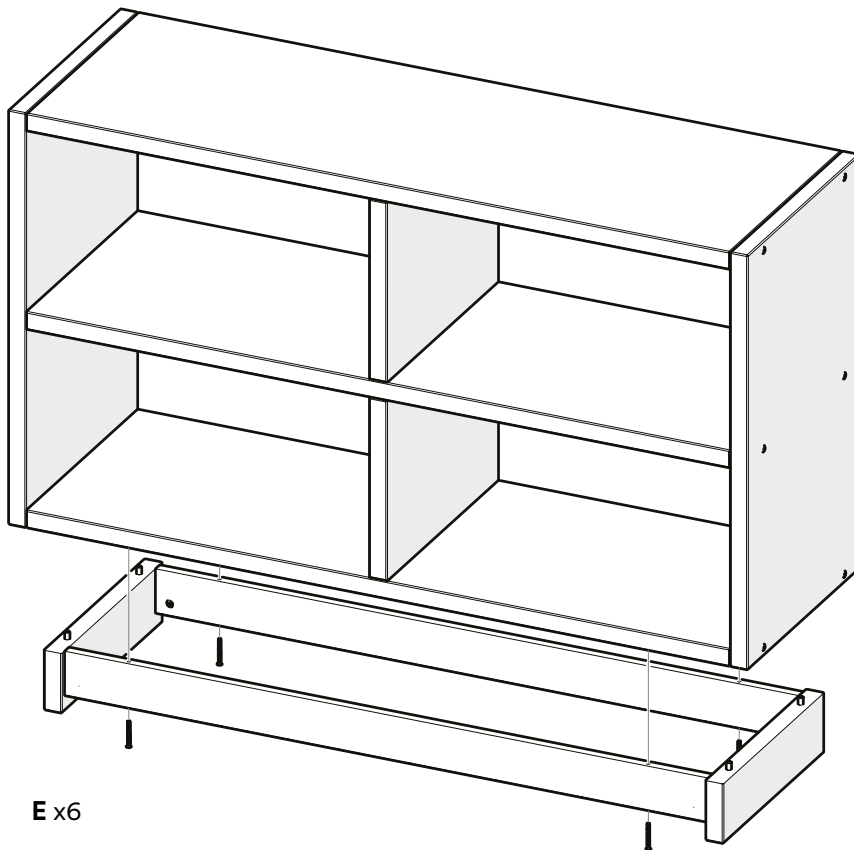
3



4



5



E x6

**normann**

C O P E N H A G E N