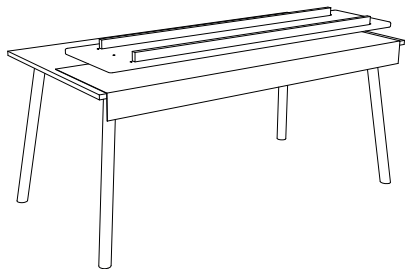


## POSITION BENCH 155

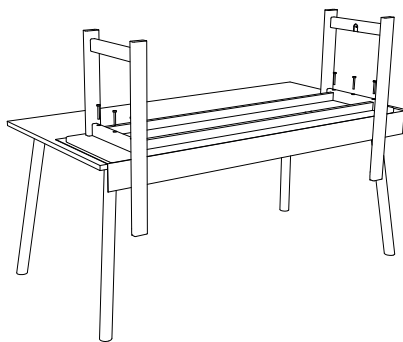
Assembly guide



### STEP 1

---

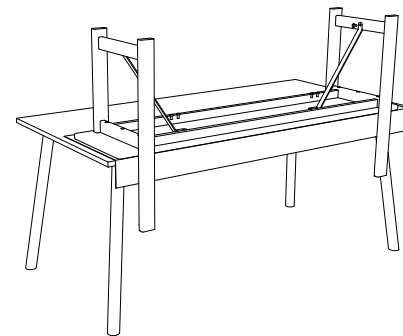
Place the seat bottom up on any larger table. To protect the surface from scratches lay a piece of textile or cardboard under the seat.



### STEP 2

---

Place the leg frames above the bushings. Using the included hex key, mount the screws in the seat. Tighten the screws properly, though without fully tightening them.



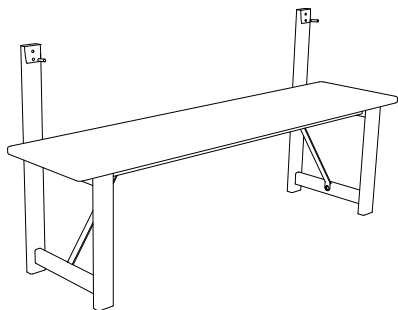
### STEP 3

---

Place the two brass parts on the seat and mount the short brass screws. Tighten the screws with a flat-head screwdriver. Important note: Brass is softer than iron, therefore be careful not to scratch the screw.

## POSITION BENCH 155

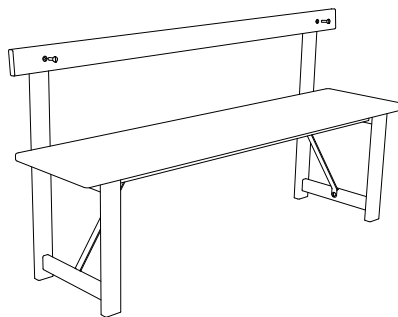
Assembly guide



### STEP 4

---

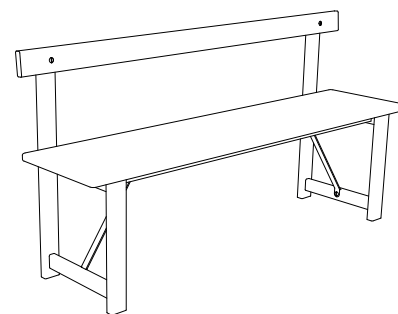
Place the two dowels in the legs.



### STEP 5

---

Place the backrest in the two dowels. Mount the two long brass screws in the backrest. Important note: Brass is softer than iron, therefore be careful not to scratch the screw.



### STEP 6

---

Good work, you are now done. The screws might have to be tightened after a while when the bench has been in use. Therefore, keep the tools for later use.