

FRITZ HANSEN



TRADITION
PRODUCT FACT SHEET

TRADITION

Tradition is a modular lounge series in teak that brings refined sophistication to outdoor spaces. With the versatility to fit any lounging style preference, Tradition's elegance and comfort are an invitation to unwind.

PRODUCT TYPE

Sofa
Lounge chair
Table

ENVIRONMENT

Outdoor

DESIGNER

Povl B. Eskildsen

MODELS

Sofa units:
Corner Module
End Module
Spacer Module
Lounge Chair
Pouf

Table units:

Lounge Table (H27)
Lounge Table (H40)

MATERIAL

Wood: Teak (Untreated)
Cushions: Outdoor textile, Quickdry outdoor foam

UPHOLSTERY

Tradition is available in the following selection of textiles:



CHARCOAL

HONEY YELLOW*

LIGHT SAND*

*Available in all markets excl. UK

MADE-TO-ORDER

N/A

CERTIFICATION

- FSC™ FSC-C120451: The wood used for Tradition is FSC-certified (FSC 100%). The FSC-certification ensures the wood is from responsible and environmentally managed forests that preserve the natural surroundings and support the local community.

For more information about environment and manufacturing processes, please download our environmental information sheet at: fritzhanzen.com

TEST

Sofa units:

- EN 581-1: General Safety Requirements for outdoor furniture - Contract level
- EN 581-2: Mechanical Safety Requirements for outdoor seating furniture - Contract level
- BIFMA X5.4-2020: Public and Lounge Seating

Table units:

- EN 581-1: General Safety Requirements for outdoor furniture - Contract level
- EN 581-3: Mechanical Safety Requirements for outdoor tables - Contract level
- BIFMA X5.5-2021: Desk and Table Products

SPECIFICATIONS

Wood:

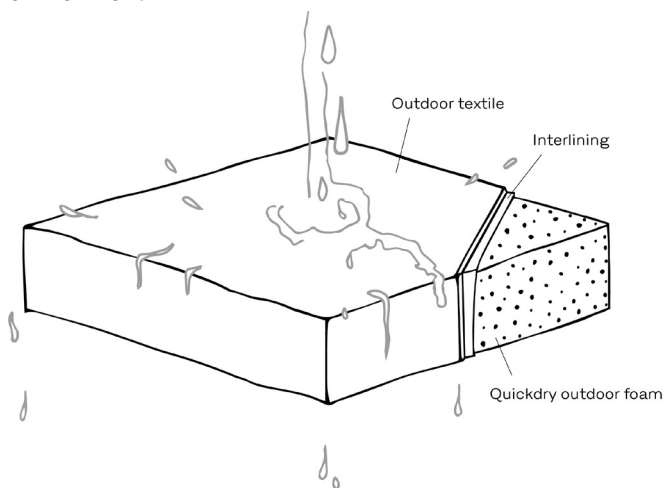
New wooden, teak furniture has natural colour differences found in the freshly cut wood. Once the furniture has been exposed to the sun, these colour differences will even out. As a natural part of the aging process, the surface of teak will change when first being exposed to rain and sunlight; this is the first stage of a process of wood that ages with beauty.

Textiles:

The textiles are Oeko-Tex certified and extremely colour and lightfast, water and dirt-repellent and even mildew-resistant.

Cushions:

The Quickdry outdoor foam provides a firm and comfortable seat that retains its shape year after year. The open-cell structure allows both water and air to pass through ensuring the cushion dries exceptionally quickly, even after a heavy downpour. To ensure cushions remain beautiful over time, it is good practice to avoid them being left wet for prolonged periods, e.g., by turning them upright to let water run off or storing them in a dry environment.



WEIGHT

Sofa units:

Corner Module:	14 kg / 30.9 lb
End Module:	15,5 kg / 34.2 lb
Spacer Module:	12 kg / 26.5 lb
Lounge Chair:	17 kg / 37.5 lb
Pouf:	8,5 kg / 18.7 lb

Table units:

Lounge Table (H27):	8,5 kg / 18.7 lb
Lounge Table (H40):	9 kg / 19.8 lb

COUNTRY OF ORIGIN

Wood: Indonesia

PRE-ASSEMBLED

Yes (excl. cushions, they must be applied after unwrapping).

Brackets are included and must be mounted to connect modules.

PACKAGING

The units are shipped in a recycled cardboard box. All packaging material can be recycled.

CLEANING AND CARE

Find recommendations for cleaning and care at: [fritzhanzen.com/maintenance](https://www.fritzhanzen.com/maintenance)

REPAIR, DISPOSAL AND REUSE

In case of repair and disposal the units can be disassembled into parts. All parts can be recycled. Check local regulations for recycling options and whether there is potential for reuse.

WARRANTY

Fritz Hansen provides a five-year warranty on standard products against defects in materials and workmanship.

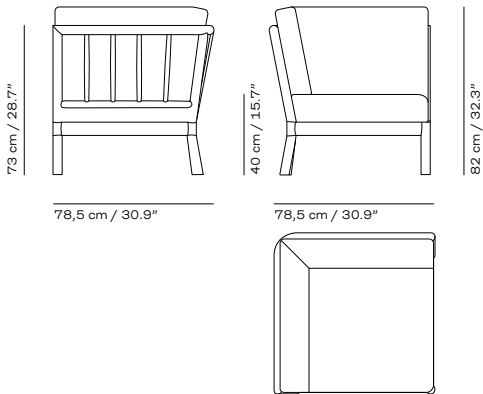
Additional warranty conditions can be found at: [fritzhanzen.com/warranty](https://www.fritzhanzen.com/warranty)

DIMENSIONS

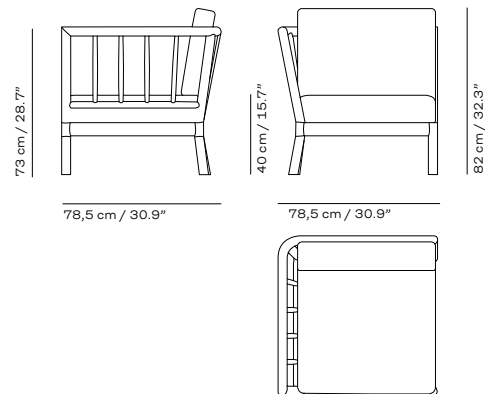
Go to page 4.

DIMENSIONS

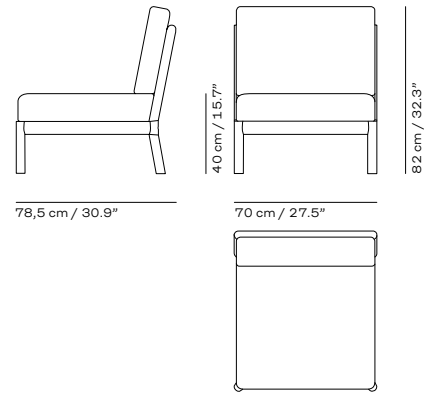
CORNER MODULE



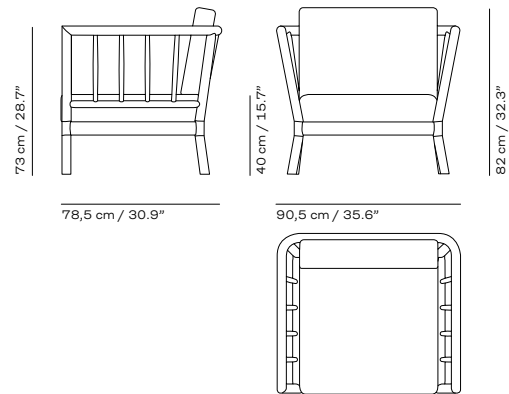
END MODULE



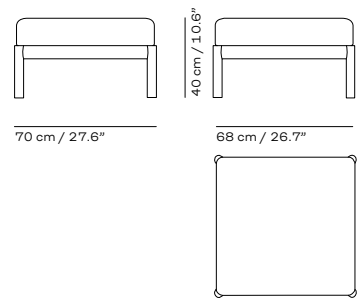
SPACER MODULE



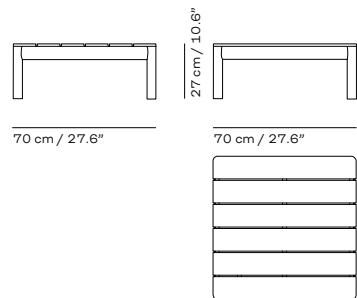
LOUNGE CHAIR



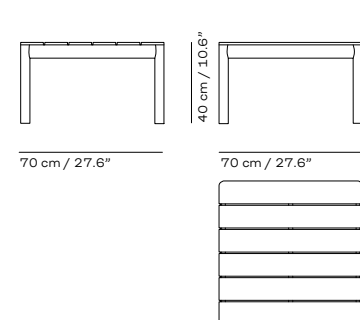
POUF



LOUNGE TABLE (H27)



LOUNGE TABLE (H40)

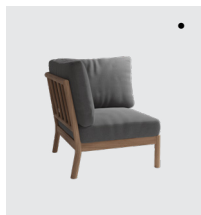


VARIANTS

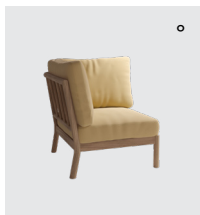
- Available in all markets excl. UK
- Available in all markets incl. UK

CORNER MODULE

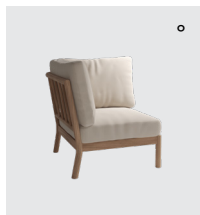
END MODULE



CHARCOAL
1505949
1505945 (UK)



HONEY YELLOW
1505948



LIGHT SAND
1505946



CHARCOAL
1505984
1505958 (UK)



HONEY YELLOW
1505987



LIGHT SAND
1505968

SPACER MODULE

LOUNGE CHAIR



CHARCOAL
1505983
1505959 (UK)



HONEY YELLOW
1505986



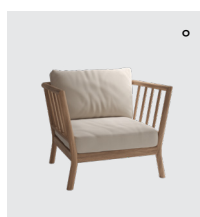
LIGHT SAND
1505969



CHARCOAL
1505985
1505957 (UK)



HONEY YELLOW
1505988



LIGHT SAND
1505967

POUF



CHARCOAL
1505995
1505956 (UK)



HONEY YELLOW
1505996



LIGHT SAND
1505997

LOUNGE TABLE



H27
1505992



H40
1505993