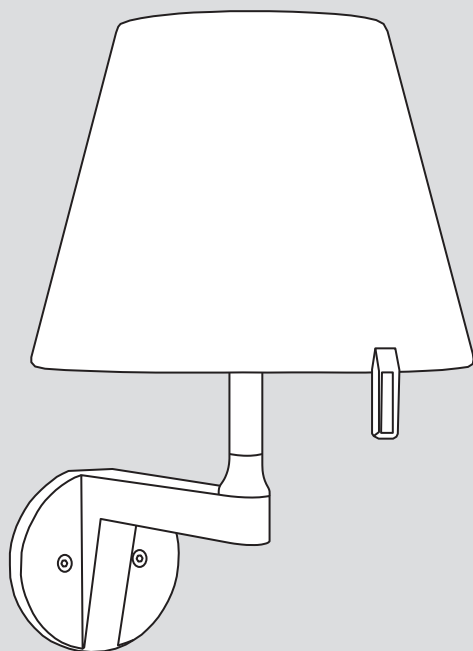


Artemide®

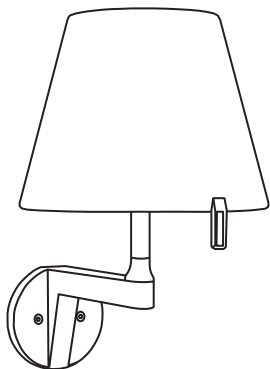
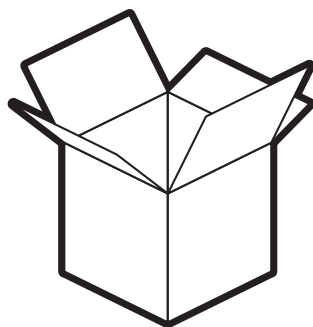
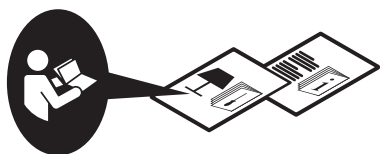
Melampo

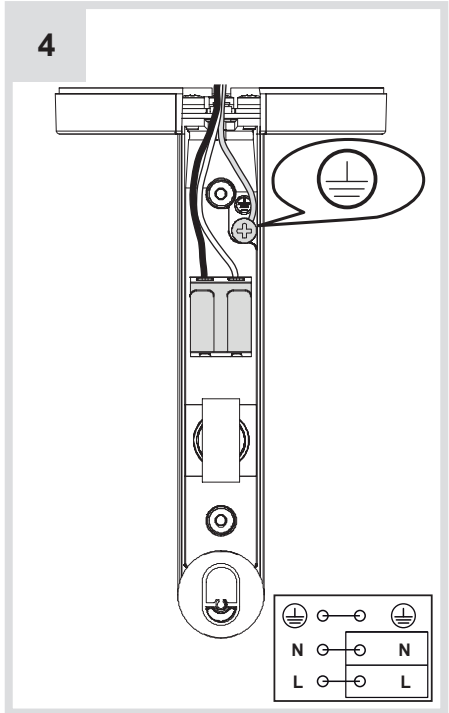
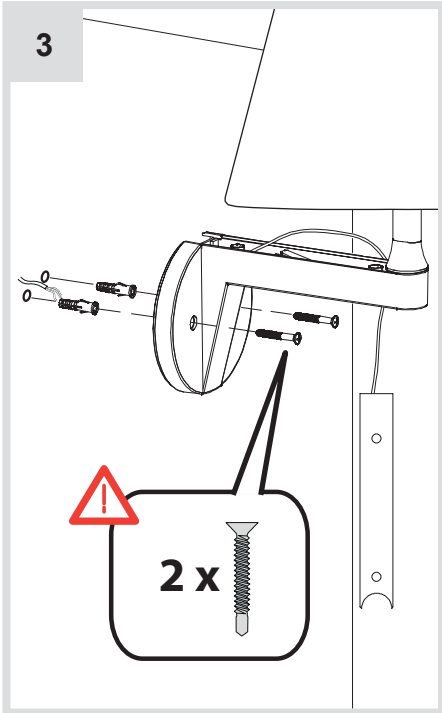
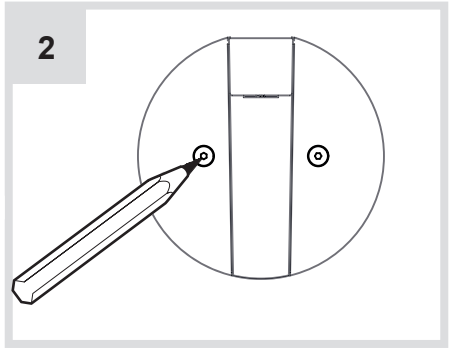
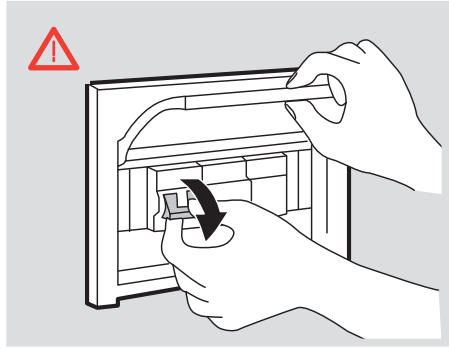
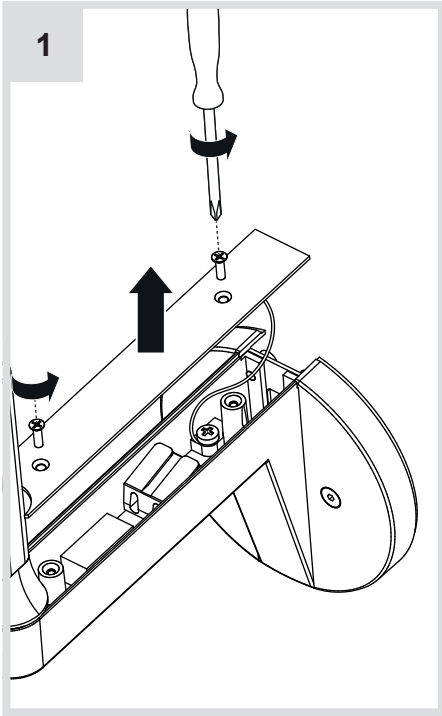
design
A. Gardère

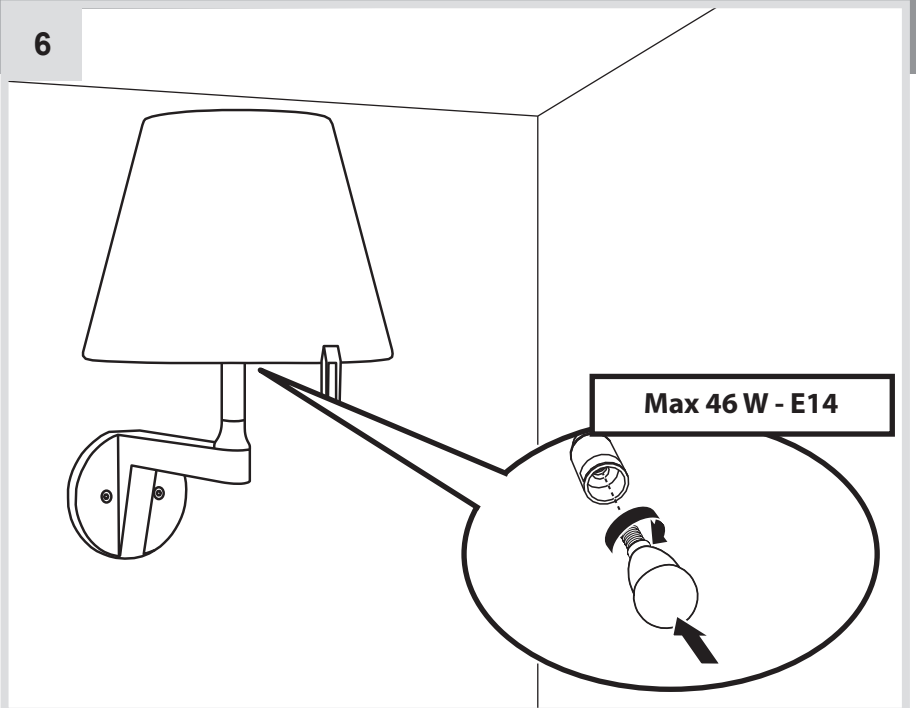
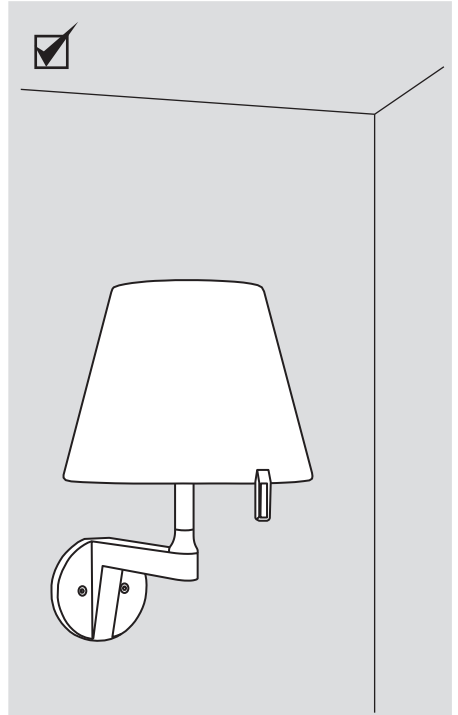
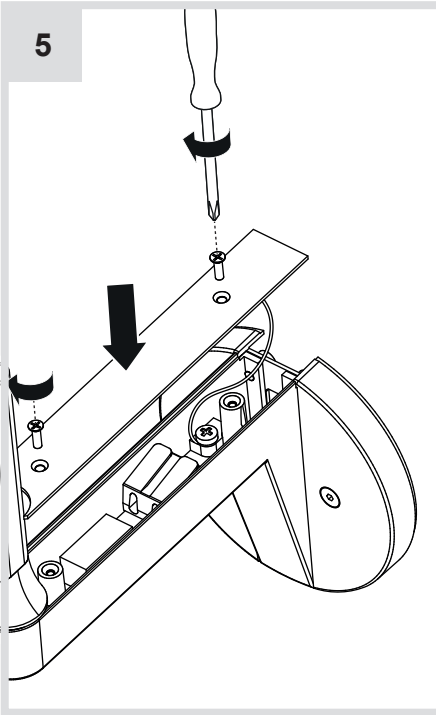




i





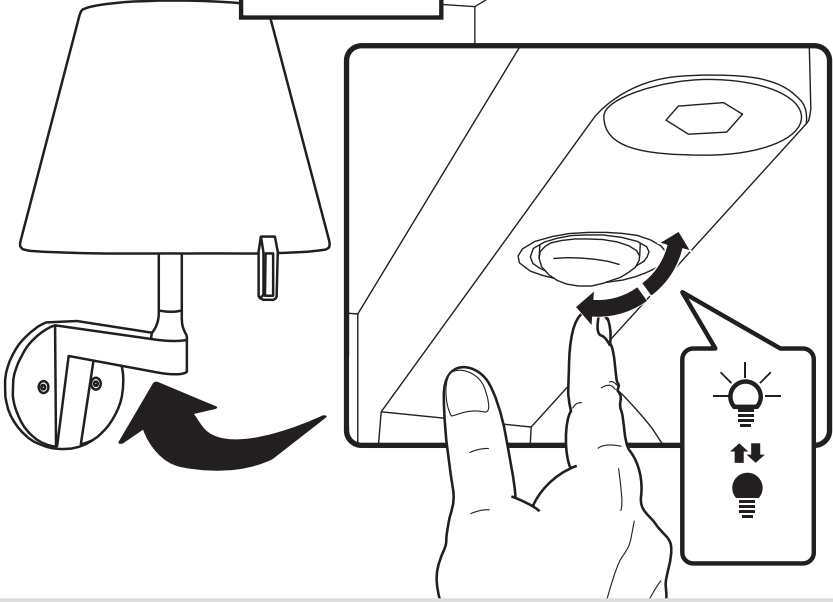




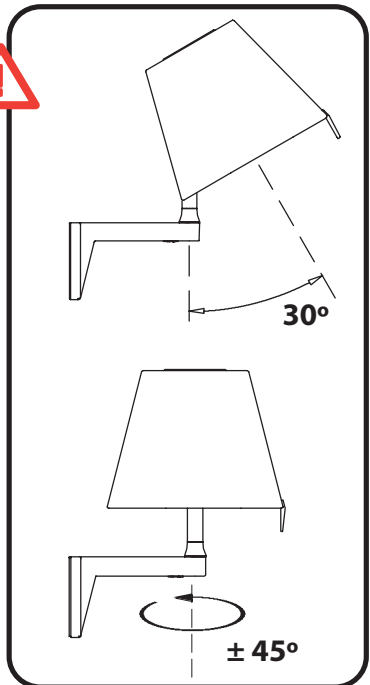
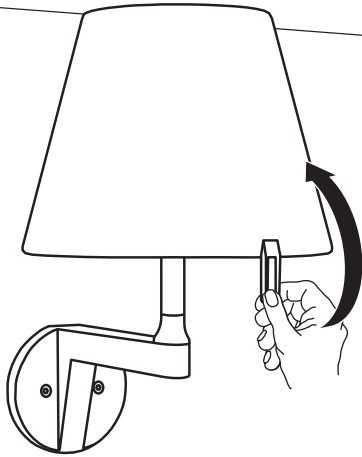
7



07210..A



8



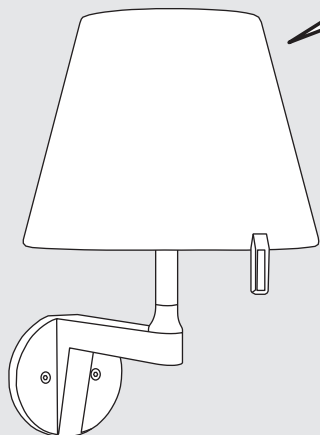


i

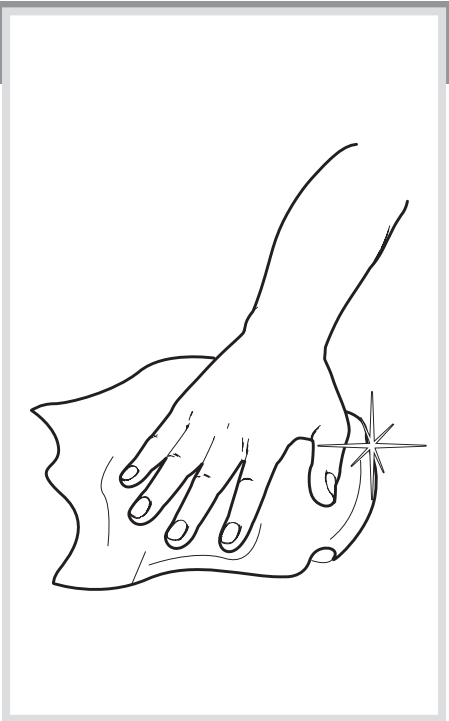
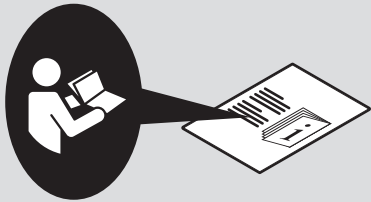
Max 46 W - E14

Halo: HSGSA - 700 lm

LED: DRAA - 500 lm



6



Artemide®



Artemide

via Bergamo, 18
20010 Pregnana M.se (MI)
ITALIA

tel. +39 02 935 181
fax +39 02 935 90 254
fax +39 02 935 90 496

www.artemide.com

VAT IT00846890150

cod. Y513000685