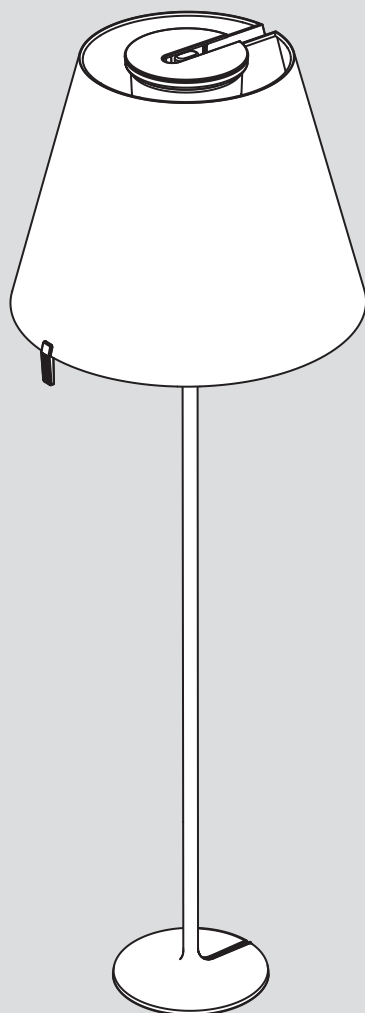


Artemide®

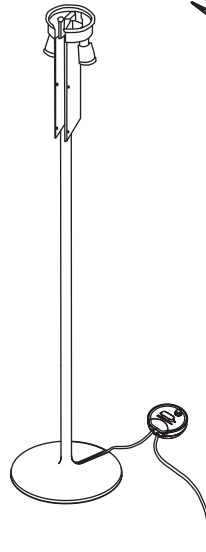
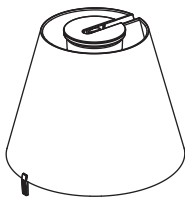
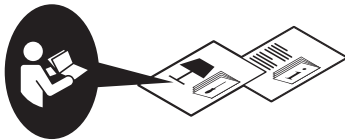
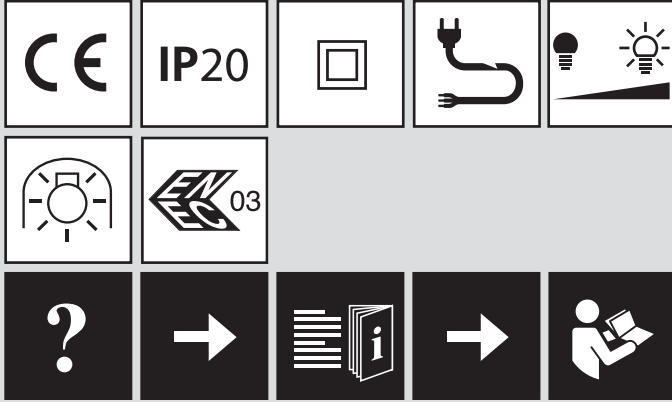
Melampo Mega

design
A. Gardère

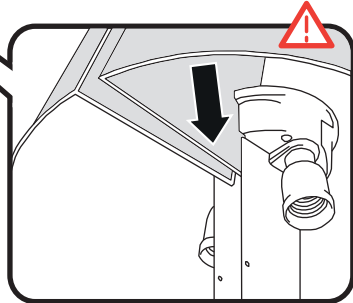
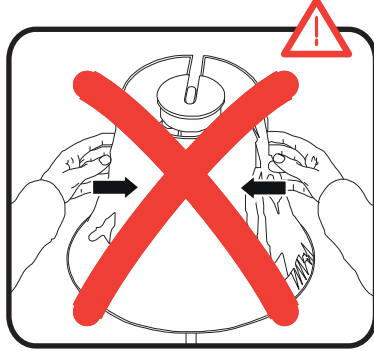
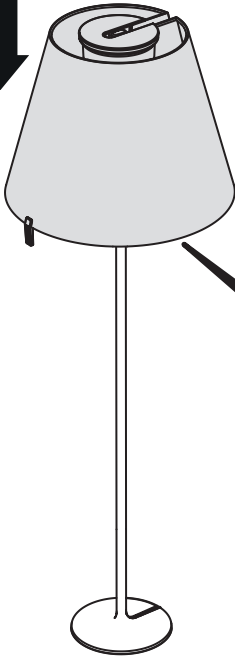




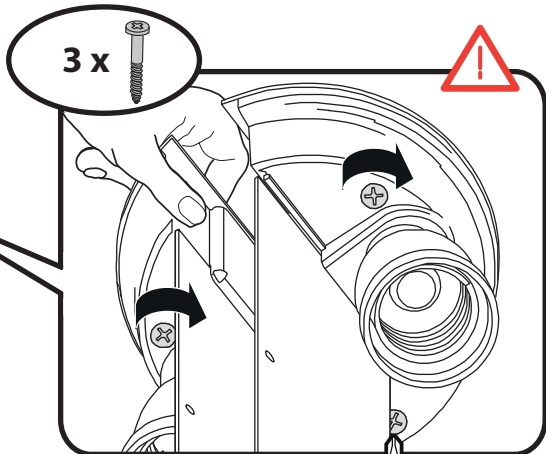
i



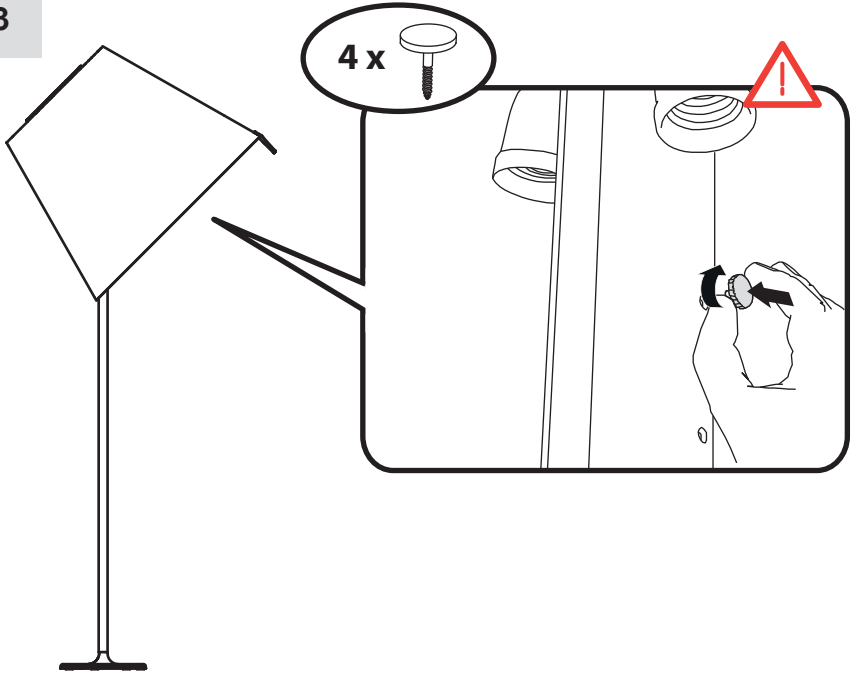
1



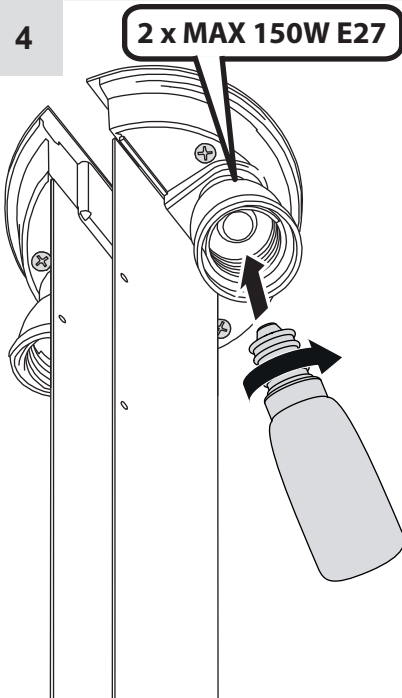
2



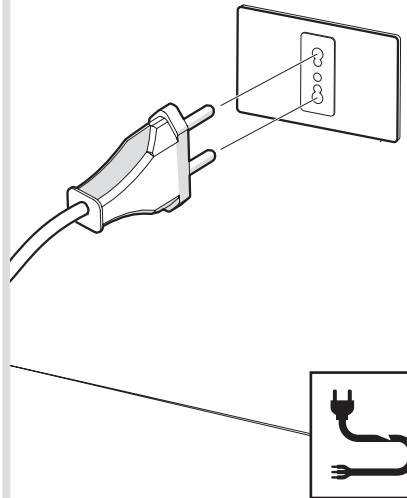
3



4

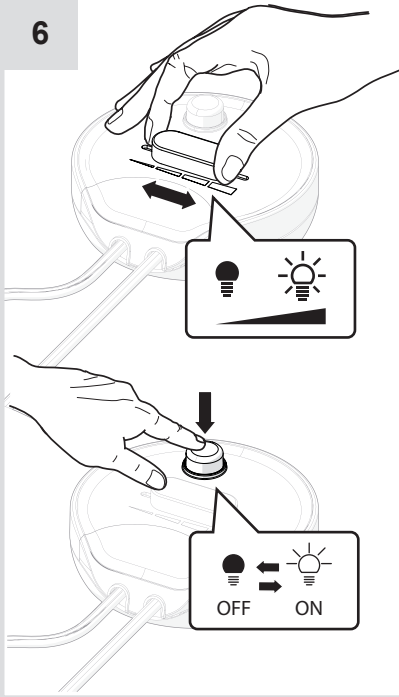


5

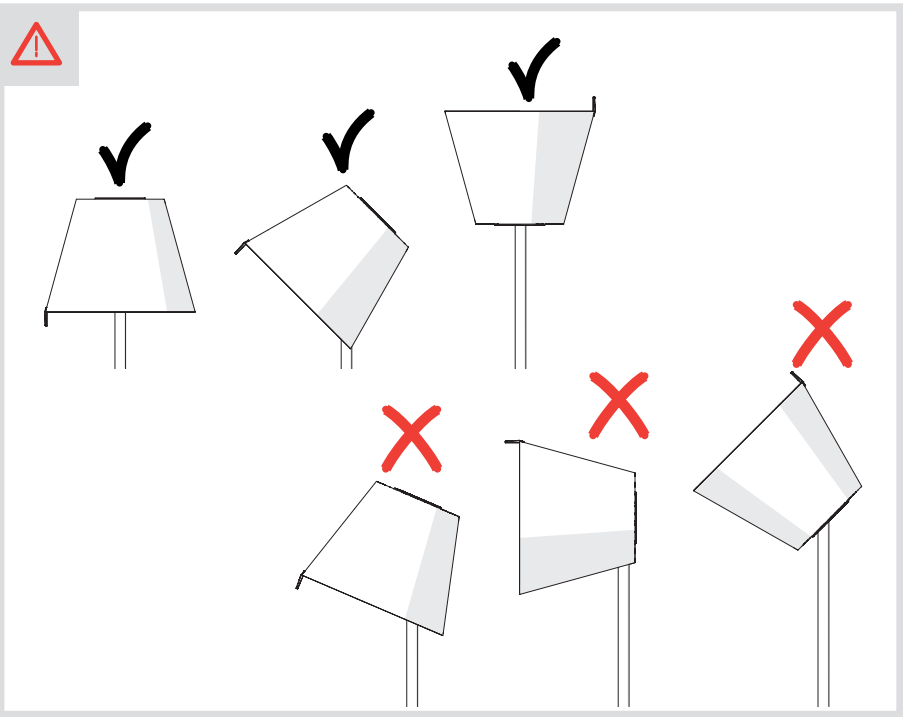
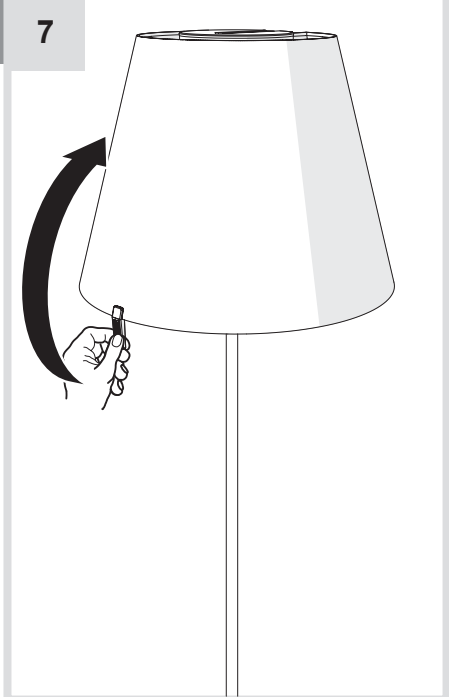




6

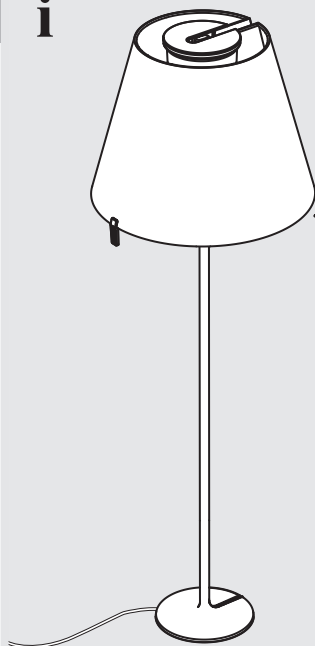


7





i



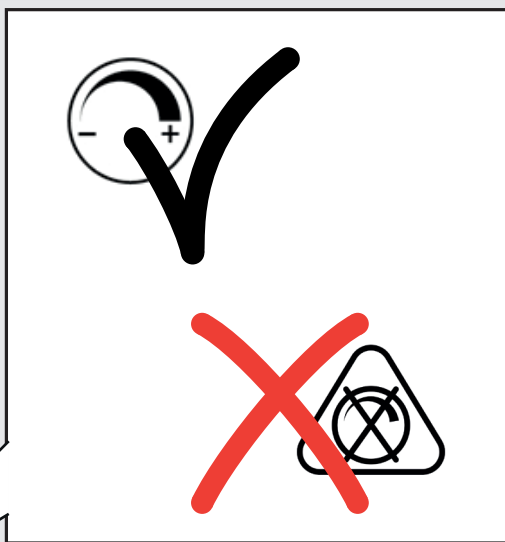
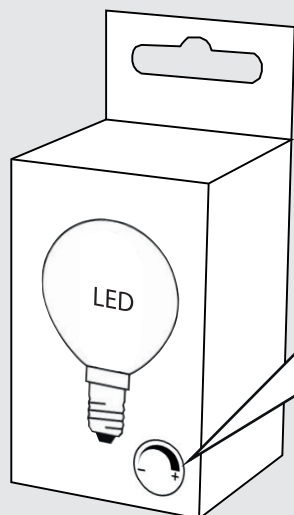
2 x MAX 150W - E27

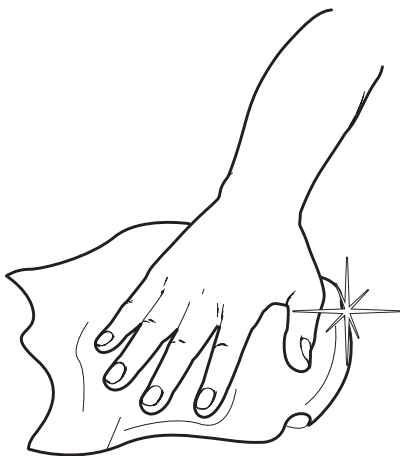
Halo: HSGST - 2900 lm

LED: DRAA - 2500 lm



4





Artemide®



Artemide

via Bergamo, 18
20010 Pregnana M.se (MI)
ITALIA

tel. +39 02 935 181
fax +39 02 935 90 254
fax +39 02 935 90 496

www.artemide.com

VAT IT00846890150

cod. Y513000664