

m o o o i[®]



Container stool

Now you can compliment your Container table set with the Container stool and add a little excitement to lunchtimes.

Designer	Marcel Wanders	
Year of design	2004	
Material	PE	
Additional	The feet can be filled with sand to create extra stability	
Product Codes	Moooi, seaters, container stool 4530, orange,	MOSCFP0453C
	Moooi, seaters, container stool 4530, black,	MOSCFP0453K
	Moooi, seaters, container stool 4530, red,	MOSCFP0453R
	Moooi, seaters, container stool 4530, white,	MOSCFP0453W

Detailing



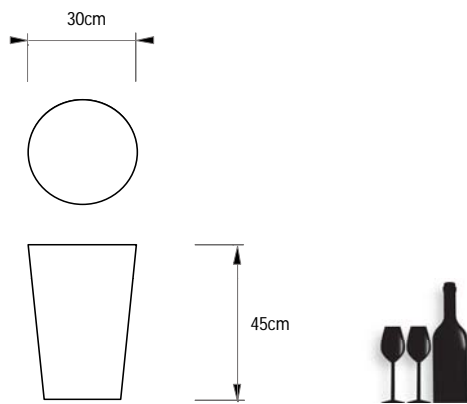
Moooi smiley features on the underside of the stool.

Colour- Container foot



m o o o i[®]

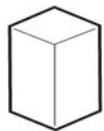
Main dimensions



Technical

There is no technical information specific to this product. Your stool will arrive as one piece with no additional components to attach

Packaging-(feet)



H-45cm
W-31cm
D-31cm



1-Colli
2.2-Net
3-Gross

Photography



Photography by Maarten van Houten

Cleaning Instructions

Mooodi recommends using a trusted household furniture polish and a soft, non-abrasive cloth to create an even sheen. Always read the label of any cleaning products you wish to use on Mooodi furniture.
