

Moon Pendant

Design by VERNER PANTON

Please read thoroughly before assembly

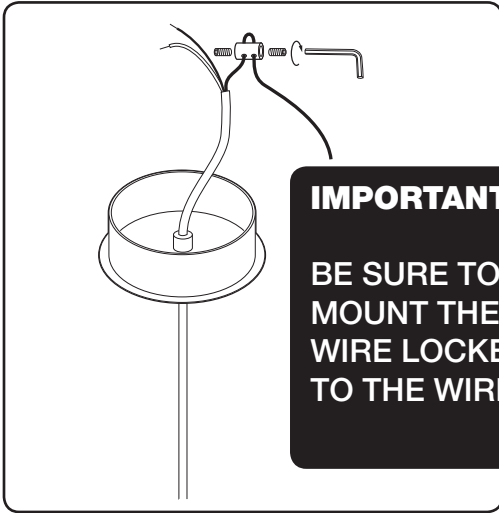
1

IMPORTANT!

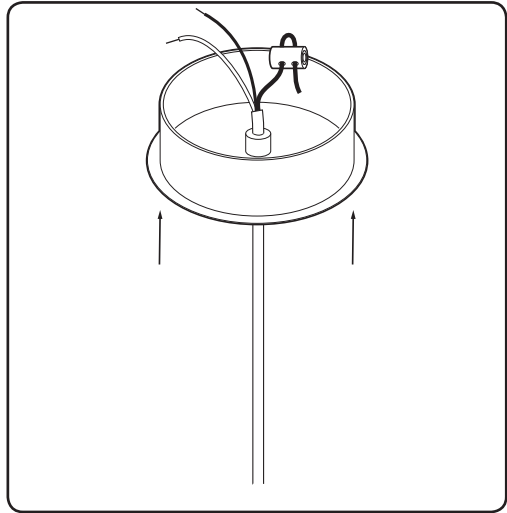
ALWAYS TURN OFF THE ELECTRICAL CURRENT BEFORE
INSTALLING ANY FIXTURE!

MAKE SURE THE MOUNTING BRACKET IS FIRMLY FIXED.

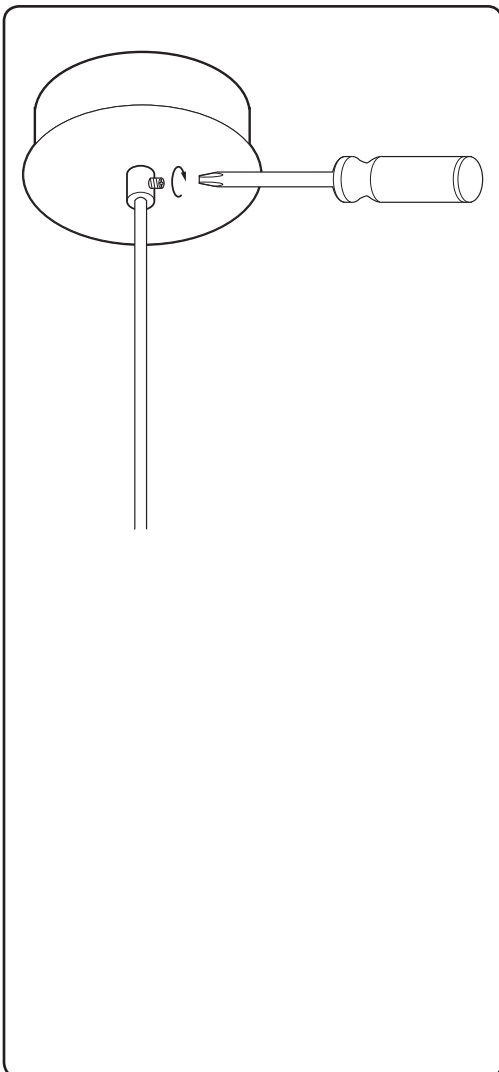
2



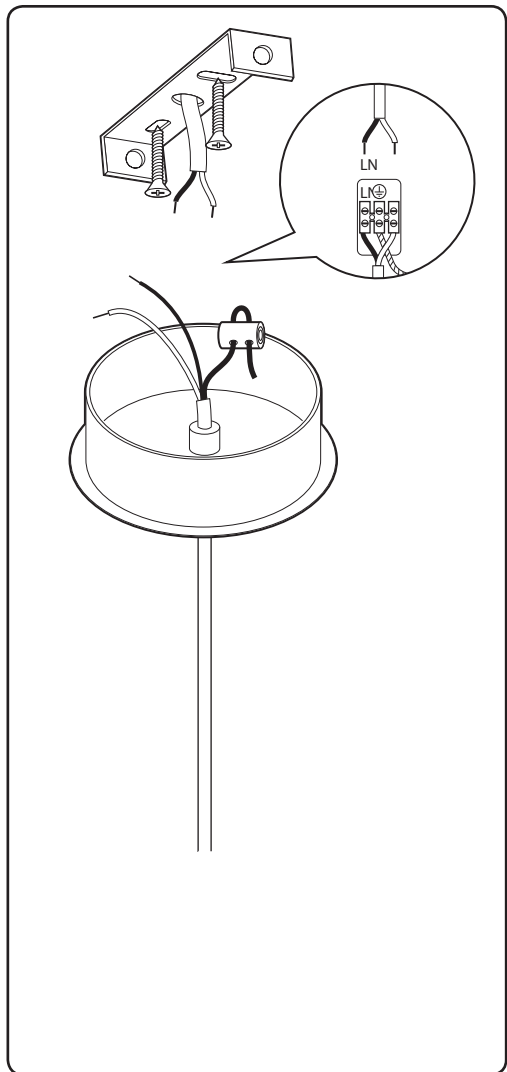
3



4



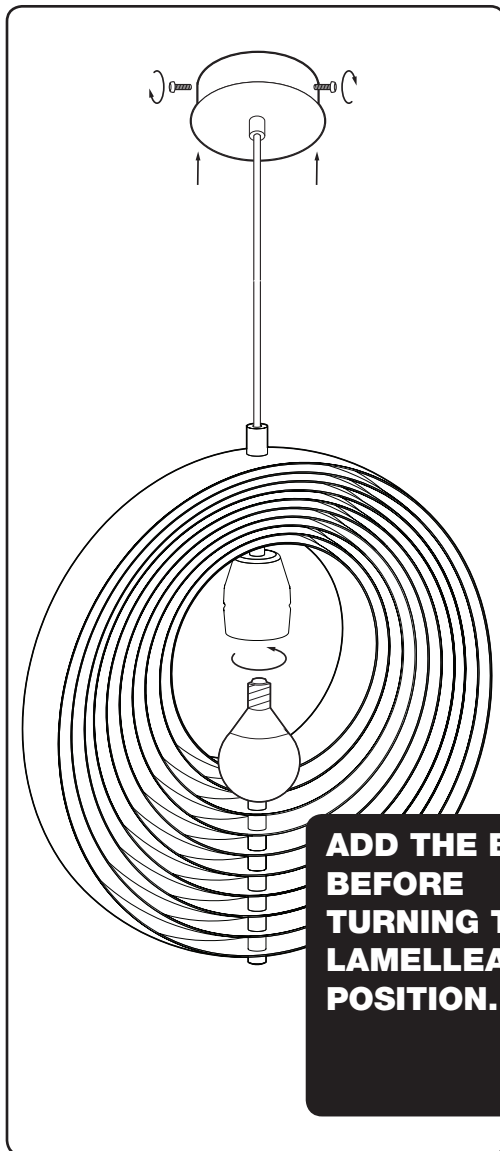
5



MOUNTING THE TOP PART TO THE CEILING:

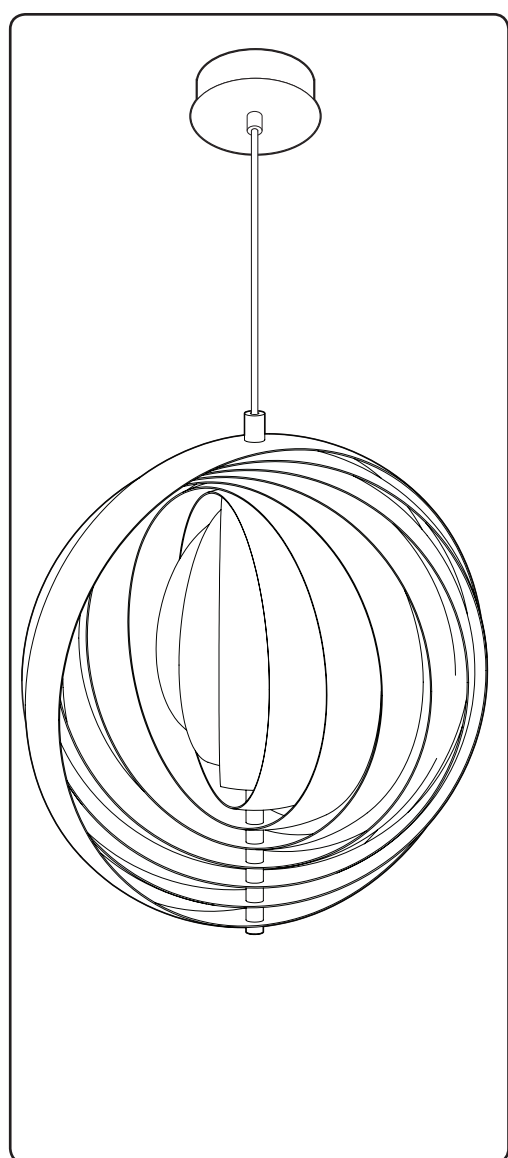
- CONNECT THE WIRE TO THE TERMINAL BLOCK
- WIRE L: LIVE
- WIRE N: NEUTRAL
- GROUNDING WIRE IN THE MIDDLE
- SLIDE THE CANOPY TO THE CEILING. TIGHTEN SCREWS.
- TIGHTEN THE CANOPY TO THE MOUNTING BRACKET

6



**ADD THE BULB
BEFORE
TURNING THE
LAMELLEA IN
POSITION.**

7



HOW TO CLEAN

Clean with a soft cloth, warm water and a mild detergent.
Do NOT use any abrasive materials.

DESIGNED
IN THE PAST
MADE FOR
TOMORROW

VERPAN ApS
Egeskovvej 29
8700 Horsens
Denmark

www.verpan.com

info@verpan.com