

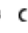
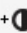


Demetra Professional Wall - Body Grey


 IP20    Dimmbar: 

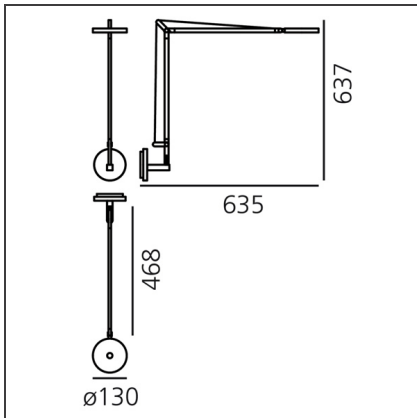
DESIGN

Naoto Fukasawa

BESCHREIBUNG

The Demetra family is expanded with two new versions to meet varying usage requirements: Demetra Micro and Demetra Professional. While flow emission varies in Demetra Professional, its size is identical to the classical version. It was designed to address the need for a task light with greater flows allowing to obtain high illuminance on the working top. With the advanced LED technology and the adoption of smart elementary solutions, maximum performance is ensured in a minimal product. Its look is the typical essential and linear one of Demetra, but its head is a more complex optical device, designed for more powerful LEDs also through painstaking study of thermal science. The aluminium bottom of the head's body works as a heatsink by taking shape and folding inside the head to accommodate the LED, however without contact and therefore without creating a heat bridge with the top. This allows maximum dissipation, and therefore the use of a high-power COB LED, without affecting its functionality deriving from operation and from direct user relation with the lamp. The top of its head can be safely touched without contact with high temperatures. Emission is controlled by a reflector that slightly protrudes from the head's profile and designs perfect illuminance on the top to create a work station with a high colour yield (Cri 90). The Demetra family becomes more complete to satisfy all the needs of different application fields with flexible and comprehensive solutions, as well as with specific and dedicated ones.

TECHNISCHE ZEICHNUNGEN



FUNKTIONEN

Artikelnummer:	1739010A	Material:	Aluminium, technopolymer
Farbe:	Anthrazitgrau	Serie:	Design
Installation:	Wandleuchte	Lichtverteilung:	Direct
Anwendungsbereich:	Innenbeleuchtung		

DIMENSION

Breite:	cm 63.5	Glühdrahttest:	750
Höhe:	cm 63.7		
Durchmesser Fuß:	cm 13		

INKLUSIVE LEUCHTMITTEL

Kategorie:	LED	Farbtemperatur(K):	3000K
Anzahl:	1	Color Tolerance:	MacAdam 2SDCM
Watt:	9,37W	CRI:	90
Lichtstrom (lm):	1129lm	Efficacy:	121lm/W
Typ:	0	Service Life:	50000-L70
Class:	A		

LUMINAIRE

Watt:	12W	Lichtstrom (lm):	960lm
		CCT:	3000K
		Efficiency:	84%
		Efficacy:	80lm/W
		CRI:	90
		Dimmer Typology:	Microswitch Dimmer

ZUBEHÖR



DEMETRA
SUPPORTO W GRO
1742010A