

# PC PORTABLE

DESIGN BY PIERRE CHARPIN



Pierre Charpin's PC Portable Lamp is a refined and portable freestanding lamp for indoor and outdoor use. Constructed in robust plastic and featuring a matte scratch- and water-resistant finish, its battery-powered design gives the freedom and flexibility to move it anywhere. The light source is hidden from view by a polycarbonate diffuser, available with both downlight and ambient output options, depending on the desired use. The PC Portable Lamps are available in a variety of colour variants and are ideal for table lighting in domestic environments, as well as at cafés, restaurants and other public areas.

## PRODUCT DETAILS

- / Part of a progressive and technologically advanced lighting collection.
- / CE and ETL approved for both EU and US markets.
- / Integrated touch step dimmer switch on the base of the lamp.
- / A compact, portable and robust LED-based lamp that can be used freestanding in a number of different environments and applications.
- / 10 hours of autonomous usage.
- / USB cable included for charging with a standard USB outlet.
- / Replaceable LED light source included with an estimated life span of 25.000 hours of use.
- / Qualified for contract use.
- / Suitable for both indoor and outdoor environments.

# HAY

**MATERIAL**

LAMP BODY / Injection moulded ABS, with a translucent PP diffuser.

LAMP SHADE / Injection moulded opaque ABS for Soft Black and Olive lamp, translucent PP for Cream White.

CORD / PVC USB cable (100 cm).

**COLOUR & FINISH**

Please note that the colour codes are indicative.

Available in 3 different colours.

- / Soft Black (RAL 9004)
- / Olive (RAL 6003)
- / Cream White (RAL 9010)

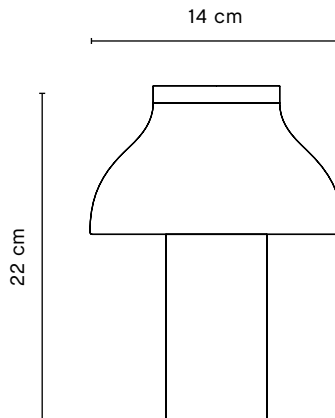
**DIMENSIONS**

- / WIDTH 14 cm / 5.5"
- / DEPTH 14 cm / 5.5"
- / HEIGHT 22 cm / 8.7"

**COLOUR OPTIONS**



The colors for the PC Portable are created to fit our range of outdoor furniture, but will equally suit any indoor environment as well. The white color provides an ambient light, whilst the black and olive provide directional down light.



**TECHNICAL SPECIFICATION / OPAQUE SHADE**

- / LIGHT SOURCE / G4 LED Bulb 3W (Low voltage)\*
- / POWER\*\* (watts) / 3.5W
- / FLUX\*\* (lumens) / 85lm
- / CCT\*\* (kelvin) / 3000K
- / CRI\*\* (1-100) / 75
- / DIMMABLE / Yes
- / POWER SUPPLY / 220-240V AC at 50-60Hz  
Micro USB Cable
- / BATTERY\*\* (hours) / 8h per charge
- / CHARGE\*\* (hours) / 8h for a full charge
- / SWITCH / integrated touch step dimmer

\* The bulb is included in the packaging and must be inserted before use.

\*\*Measurements taken from production luminaire

**CERTIFICATIONS**

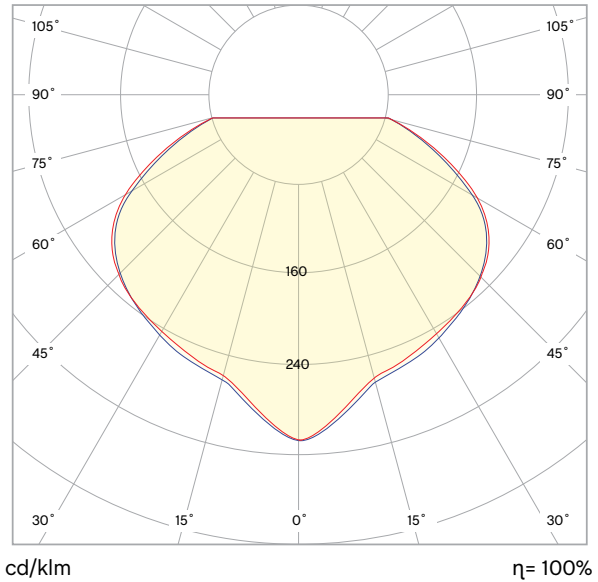
CE approved: This product has been assessed and complies with the essential requirements of the relevant European directives.



Tested according to the following European EN standards which relate specifically to electrical lighting products products including:

- / EN 55015:2013 (radio disturbance)
- / EN 61547:2009 (EMC immunity)
- / EN 61000-3-2:2014 (EMC compatibility)
- / EN 61000-3-3:2013 (EMC compatibility)
- / EN 60598-2-4:1997 (portable luminaires)
- / EN 60598-1:2015 (general requirements)
- / EN 62493:2010 (human exposure to EMC)

**PHOTOMETRICS**



cd/klm  
— C0 - C180 — C90 - C270

η= 100%

## TECHNICAL SPECIFICATION / TRANSLUCENT SHADE

- / LIGHT SOURCE / G4 LED Bulb 3W (Low voltage)\*
- / POWER\*\* (watts) / 3.5W
- / FLUX\*\* (lumens) / 155lm
- / CCT\*\* (kelvin) / 3000K
- / CRI\*\* (1-100) / 75
- / DIMMABLE / Yes
- / POWER SUPPLY / 220-240V AC at 50-60Hz  
Micro USB Cable
- / BATTERY\*\* (hours) / 8h per charge
- / CHARGE\*\* (hours) / 8h for a full charge
- / SWITCH / integrated touch step dimmer

\* The bulb is included in the packaging and must be inserted before use.

\*\*Measurements taken from production luminaire

## CERTIFICATIONS

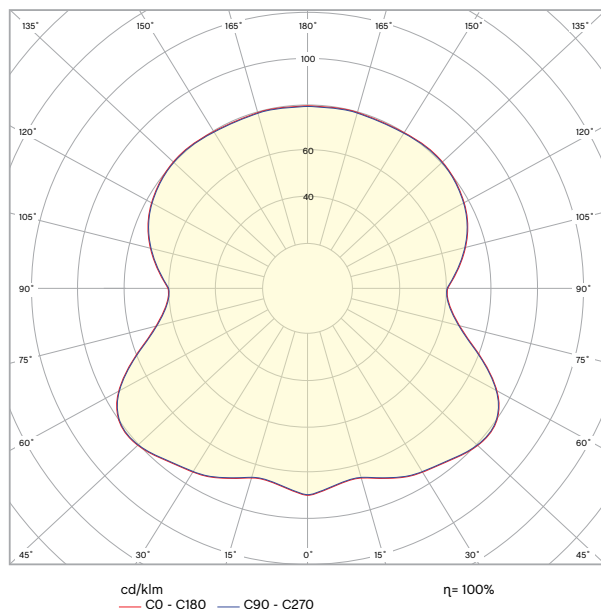
CE approved: this product has been assessed and complies with the essential requirements of the relevant European directives.



Tested according to the following European EN standards which relate specifically to electrical lighting products including:

- / EN 55015:2013 (radio disturbance)
- / EN 61547:2009 (EMC immunity)
- / EN 61000-3-2:2014 (EMC compatibility)
- / EN 61000-3-3:2013 (EMC compatibility)
- / EN 60598-2-4:1997 (portable luminaires)
- / EN 60598-1:2015 (general requirements)
- / EN 62493:2010 (human exposure to EMC)

## PHOTOMETRICS



## DOWNLOADS

2D files, 3D files and packshots are available in our imagebank at hay.com.

Care and maintenance instructions and CE attestation of conformity certificates are available at hay.com

An overview of the complete HAY lighting collection and accessories can be found at [hay.dk/en-gb/products/lighting/all-lighting](http://hay.dk/en-gb/products/lighting/all-lighting)

# HAY