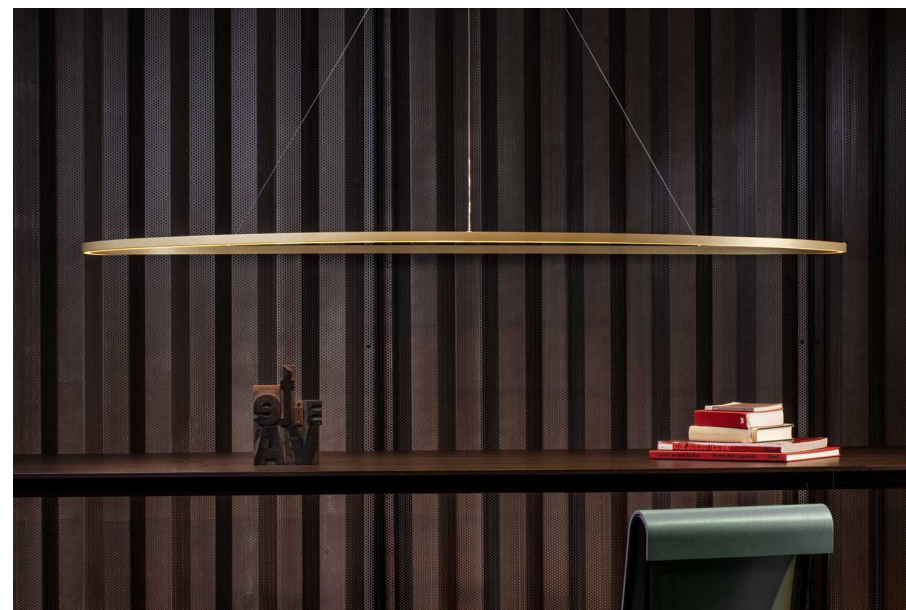


# ELLISSE PENDANT MEGA

*Federico Palazzari*

Collection of LED suspension lamps in extruded aluminum made in different versions: minor, major, double and the new "oversize" triple, mega and double mega versions, for direct or indirect diffused light. Available in different finishes, matt painted in white, black and gold, natural polished and glossy gold anodized. Opal diffuser. Ellisse is realized through a proprietary technology of coupling of the extrusions. The model "Major" is also available floor and wall versions.



## DOWNLIGHT | 3000K

### LAMPING

Source	linear LED
Total power	85W
Emission	diffused
Switching	dimnable 1-10V
Tension	110 / 230 V
Color temperature	3000K
Luminous flux	4425lm (luminous output)
Typ cri	85
Energy class	A+
Notes	cable lenght 2,5m; gold polished anodized/polished aluminium on request

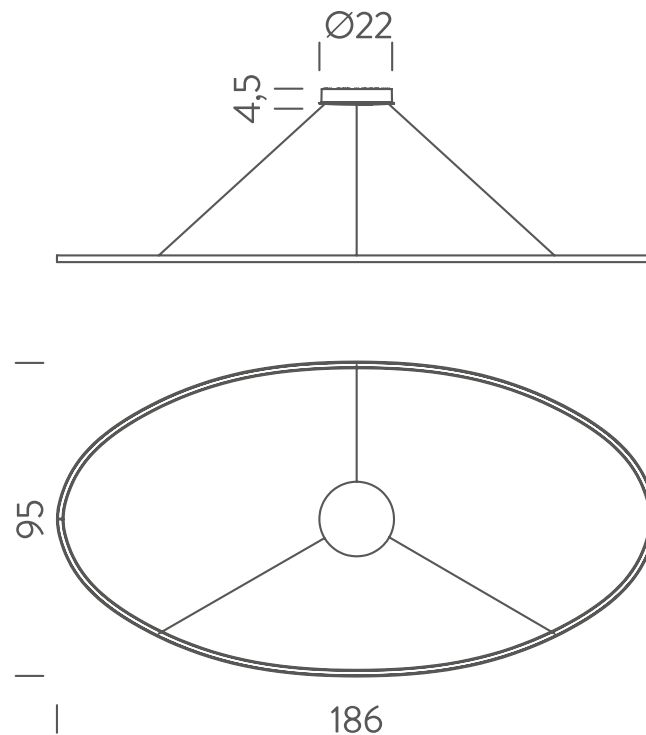
### Codes

ELP LWW 59  
ELP LNW 59  
ELP LOW 59

### Structure/Diffuser

white/white  
black/white  
gold painted/white

### Certificazioni



## DOWNLIGHT | 2700K

### LAMPING

Source	linear LED
Total power	85W
Emission	diffused
Switching	dimnable 1-10V
Tension	110 / 230 V
Color temperature	2700K
Luminous flux	4425lm (luminous output)
Typ cri	85
Energy class	A+
Notes	cable lenght 2,5m; gold polished anodized/polished aluminium on request

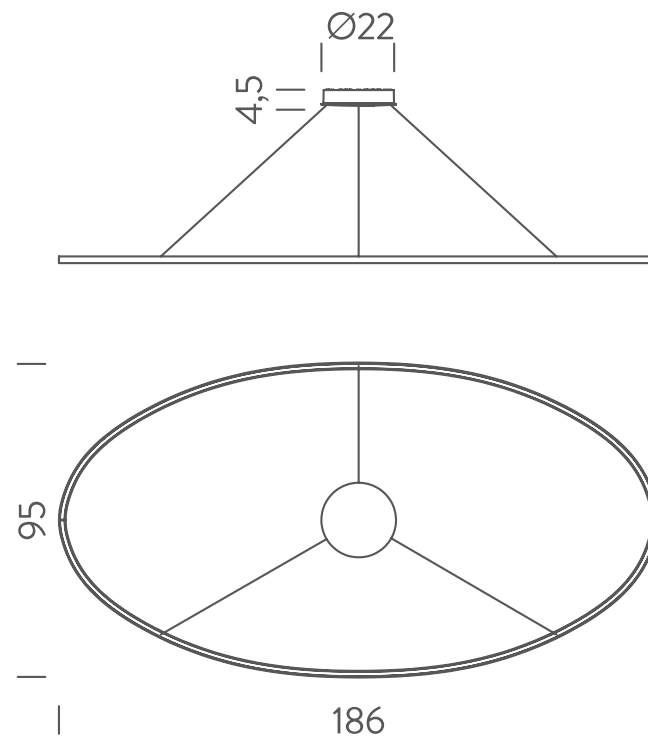
### Codes

ELP LW2 59  
ELP LN2 59  
ELP LO2 59

### Structure/Diffuser

white/white  
black/white  
gold painted/white

### Certificazioni



## UPLIGHT | 2700K

### LAMPING

Source	linear LED
Total power	85W
Emission	diffused
Switching	dimnable 1-10V
Tension	110 / 230 V
Color temperature	2700K
Luminous flux	4425lm (luminous output)
Typ cri	85
Energy class	A+
Notes	cable lenght 2,5m; gold polished anodized/polished aluminium on request

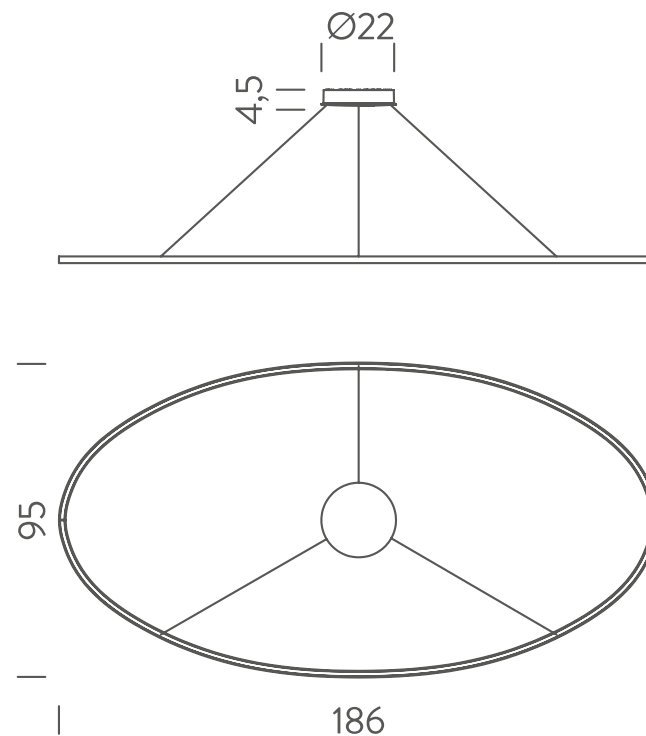
### Codes

ELP LW2 58  
ELP LN2 58  
ELP LO2 58

### Structure/Diffuser

white/white  
black/white  
gold painted/white

### Certificazioni



## UPLIGHT | 3000K

### LAMPING

Source	linear LED
Total power	85W
Emission	diffused
Switching	dimnable 1-10V
Tension	110 / 230 V
Color temperature	3000K
Luminous flux	4425lm (luminous output)
Typ cri	85
Energy class	A+
Notes	cable lenght 2,5m; gold polished anodized/polished aluminium on request

### Codes

ELP LOW 58  
ELP LWW 58  
ELP LNW 58

### Structure/Diffuser

gold painted/white  
white/white  
black/white

### Certificazioni

