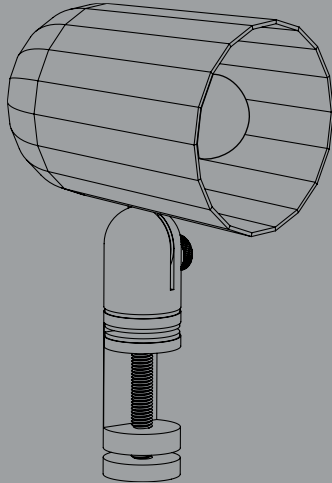


INSTRUCTION MANUAL

NOC CLAMP



By SmithMatthias

HAY

INTRODUCTION

An adaptable die-cast aluminium clamp light with a faceted shade.

The machined aluminium stem and clamp mechanism give two points of adjustment and have soft silicon pads for the fixing points.

Ideal for use in both both domestic and commercial environments. The lamp is finished inside and out with a smooth powder coating.

Supplied with an LED retrofit bulb and two-metre cable.

TECHNICAL DATA

This product is supplied with an E14 LED Bulb. Replacement bulbs must be the same type as the one supplied with the product.

HAY will not accept any responsibility for any accidents or injuries that occur due to the use of incorrect bulbs.

ATTENTION

In some countries, electrical installations must be carried out by authorised electricians/contractors; please check with your local authority for guidance. The product must not be

modified in any way. HAY accepts no responsibility for any products that have been modified or tampered with.

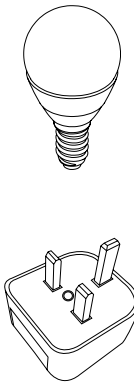
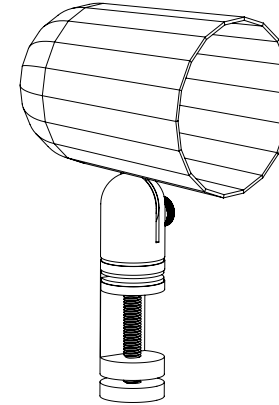
CARE AND MAINTENANCE

The product can be cleaned with a soft damp cloth and mild detergent. Do not use alcohol or any other solvents to clean the product. The external flexible cable or cord of this

luminaire cannot be replaced; if the cord is damaged, the luminaire should be destroyed. Ensure that the power supply has been turned OFF before cleaning the product.

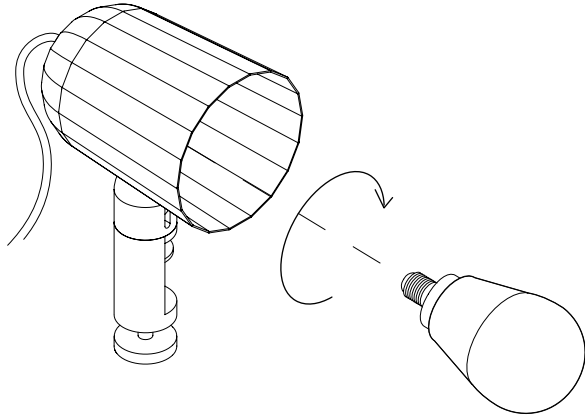


PARTS



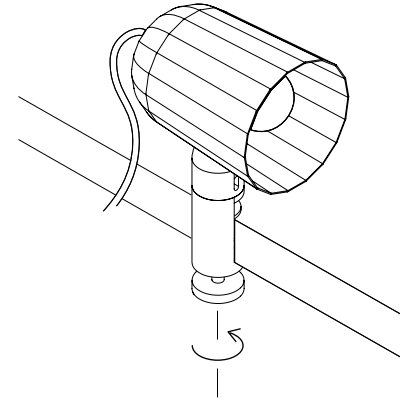
1.

Screw the provided bulb in place fingertip tight.



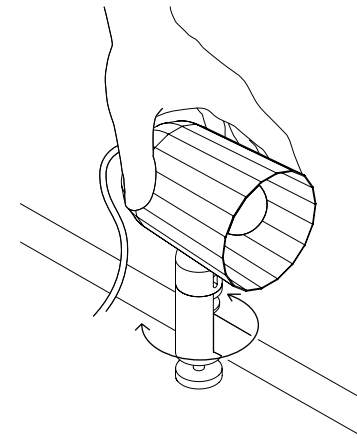
2.

Clamp the clip light in place by adjusting the circular grip.



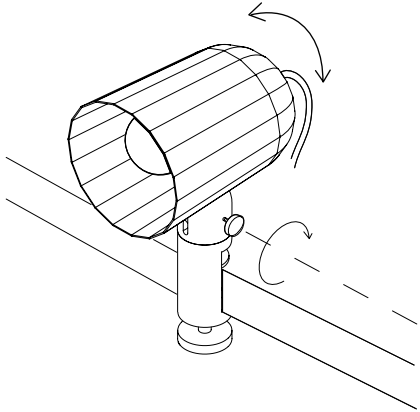
3.

The shade can twist 360 degrees.



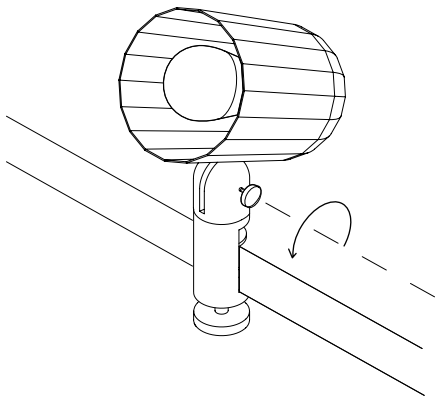
4.

Loosen the head adjustment grip to adjust the angle of the head.



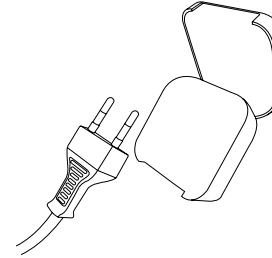
5.

Retighten the head adjustment grip to secure the desired angle of the head in place.



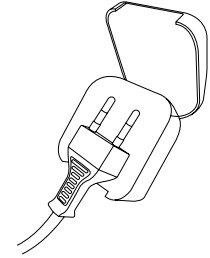
6.

For UK customers, insert the EU plug into the converter provided.



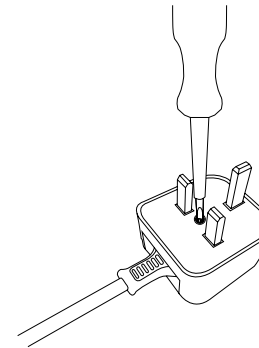
7.

Close the converter over the EU plug, with the pins secured in the internal spring clip contacts.



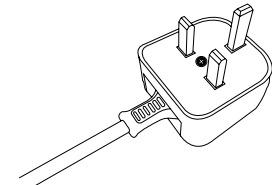
8.

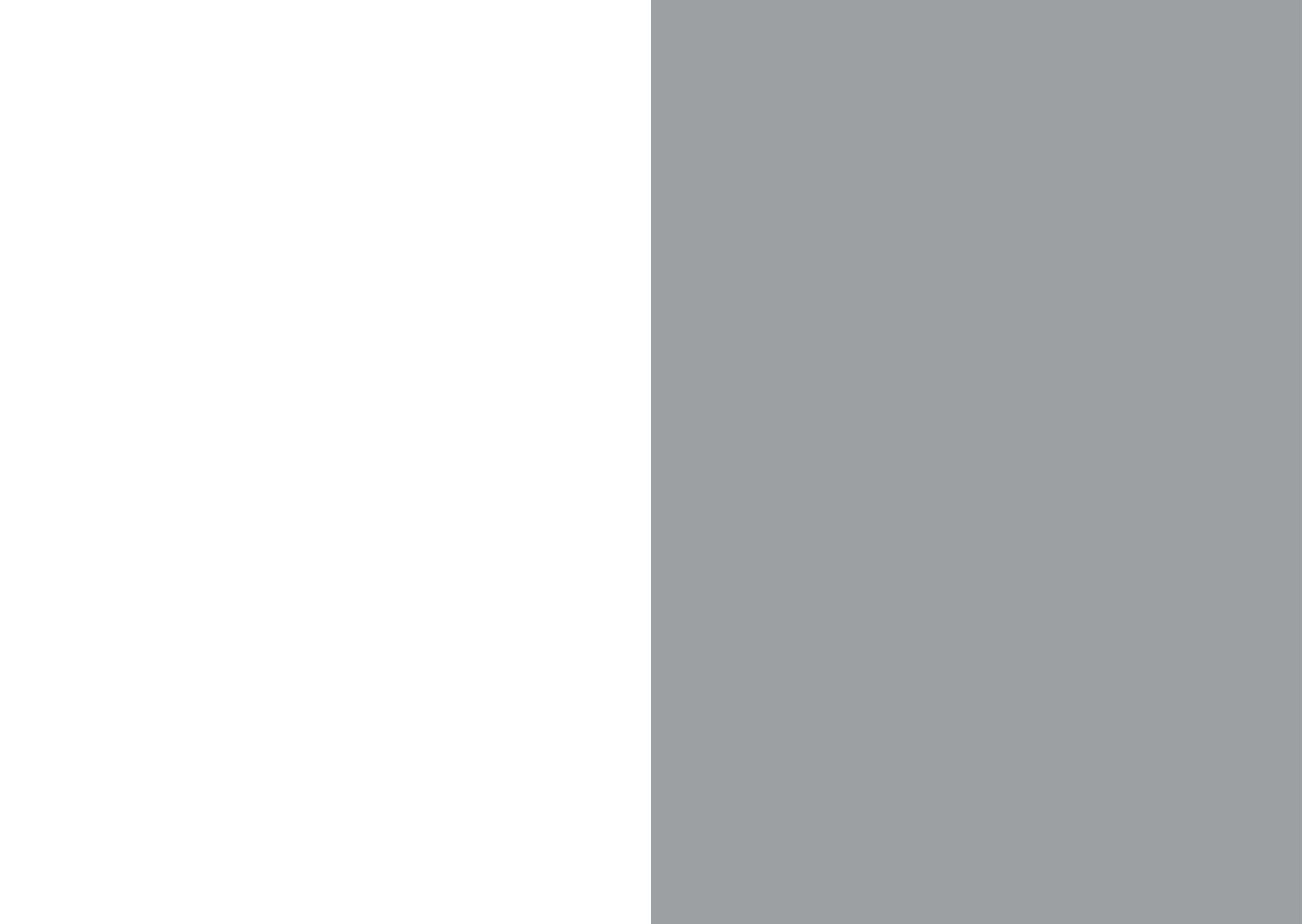
Screw the converter together to ensure the UK plug is secure.



9.

With the UK plug converter assembled, the product is now ready to use.





Havnen 1 8700 Horsens Denmark

+45 4282 0282 / hay@hay.dk

HAY