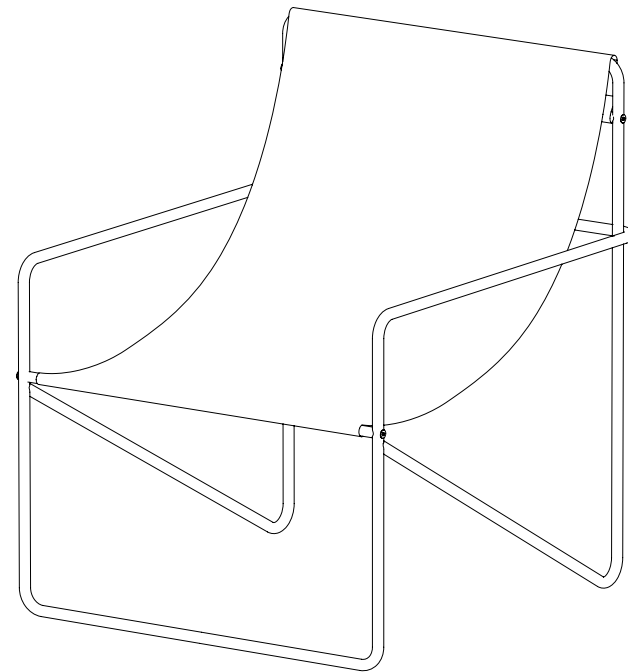


# DESERT CHAIR

---

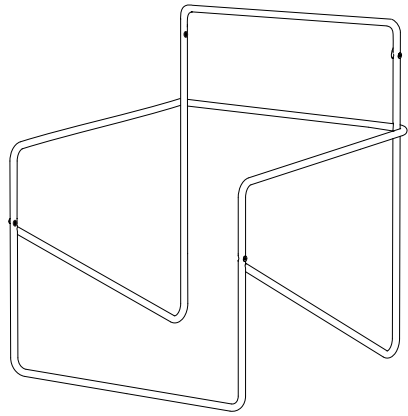
## ASSEMBLY MANUAL

fermliving.com

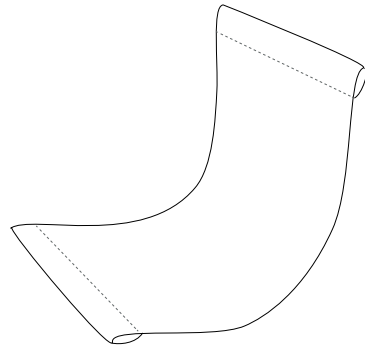


ferm  
L I V I N G

## CONTENT OF THE BOX



1 x frame



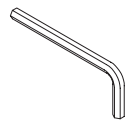
1 x seat



2 x bars

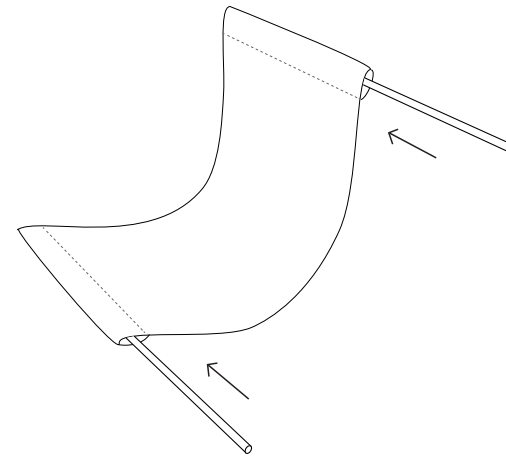


4 x screws



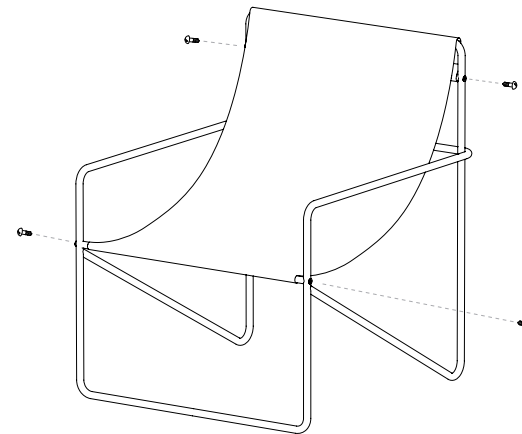
1 x hex key

## ASSEMBLY PROCESS



**1**

Insert bars  
in the seat  
as illustrated.



**2**

Fasten the  
bars with the  
four screws  
included.

Please make  
sure to flip the  
motif on the seat  
according to your  
preference.