

GUBI

ASSEMBLY INSTRUCTIONS

for

BEETLE DINING CHAIR



CARE INSTRUCTIONS

Daily cleaning can be done by wiping the base and plastic shell with a clean dry cloth. Should the surface need more attention this can be cleaned with water and a light detergent or soap applied with a damp cloth. Wipe after with a clean dry cloth. Avoid any abrasive materials.



For enquiries contact GUBI A/S - CVR: 17940384
Klubensvej 7-9, 2150 Nordhavn, Copenhagen, Denmark
T +45 69 15 60 60 - order@gubi.dk
GUBI.COM

04-20-003-01 Assembly instructions Beetle Dining Chair.

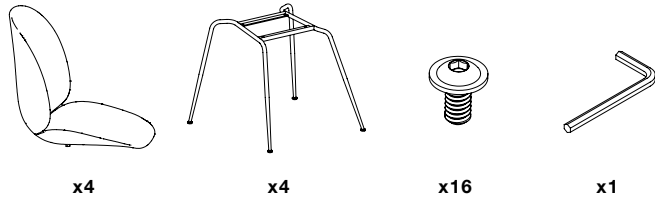


GUBI

ASSEMBLY INSTRUCTIONS

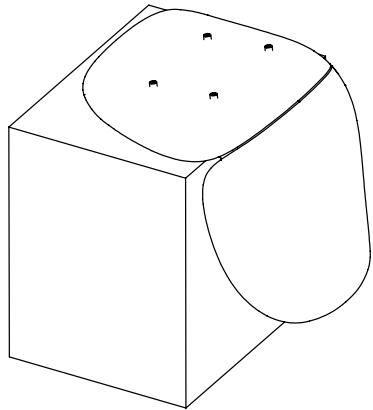
CONTENTS.

BEETLE DINING CHAIR



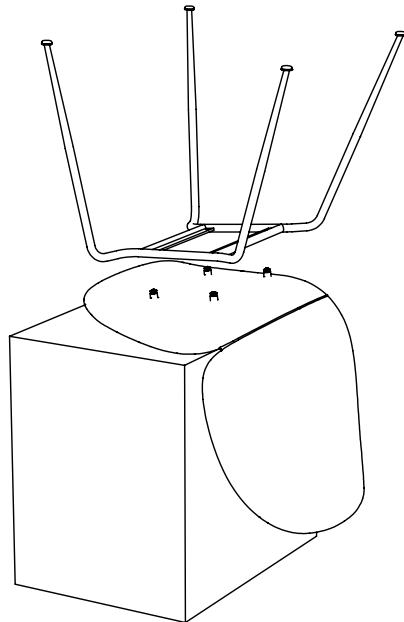
1.

Cover a surface with a blanket or similar, to avoid scratches on the plastic shell. Place the shell upside down on the surface and hold steadily as it may fall.



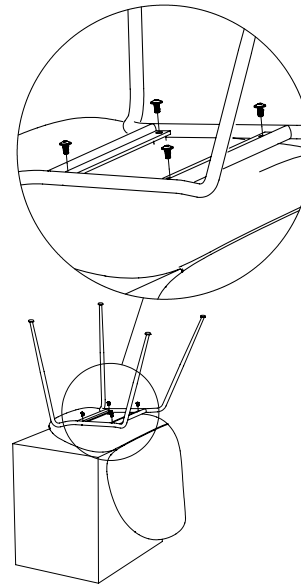
2.

Place the base on top of the shell and make sure the holes are aligned. If the holes do not align, turn the base around.



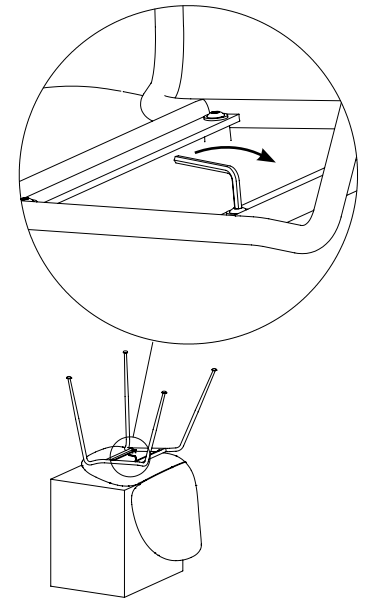
3.

Place the screws through the holes in the base and into the threaded holes in the shell.



4.

Tighten the screws, until firmly mounted. Do not over tighten as this may damage the shell.



Finished chair.