

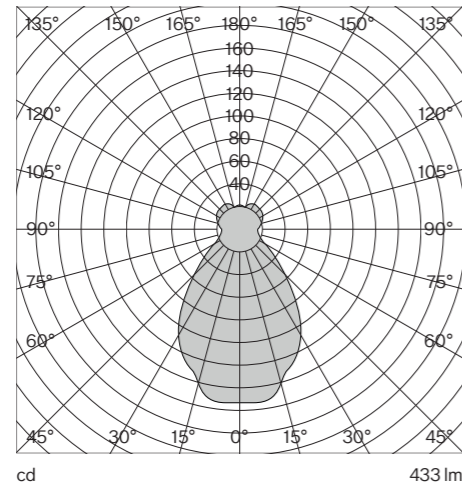
w202 Halo

Design:

David Chipperfield

Luminous intensity distribution (polar)

w202 Halo s2

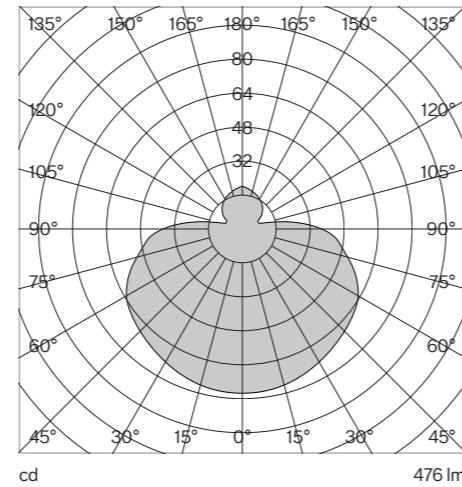
Luminaire luminous flux
 $\Phi = 433.2 \text{ lm}$ 

cd

433 lm

● C0/C180
● C90/C270

w202 Halo s3

Luminaire luminous flux
 $\Phi = 475.8 \text{ lm}$ 

cd

476 lm

● C0/C180
● C90/C270

Physical	Mounting	Ceiling rose included
	Material	Shade & bulb: Mouth-blown opal glass Heatsink & top plate: Aluminium Ceiling rose: biopolyamide
	Cord length	300cm
	Net weight	Article specific
	Operation	External
LED	Light source	COB LED (included)
	Life time expectancy	50.000 h
	Lumen	690
	Lumen/ W	115
	Colour temperature (CCT)	2700 K
	Colour Rendering Index (CRI)	>90
Electronic	Watt	6W
	Light control	Phase-cut dimming
Packaging	Dimensions	Article specific
	Gross weight	Article specific

w202 Halo s2

w202 Halo s3



Article specific information

Version	s2	s3
Gross weight	2.2kg	2.8kg
Net weight	1.2kg	1.2kg
Packaging dimensions	W50 x L30.5 x H21 cm (0.03m3)	W55 x L32 x H15.5 cm (0.03m3)
Art. No. / EAN code	202S200 / 7330492008691	202S300 / 7330492008707

Certificates



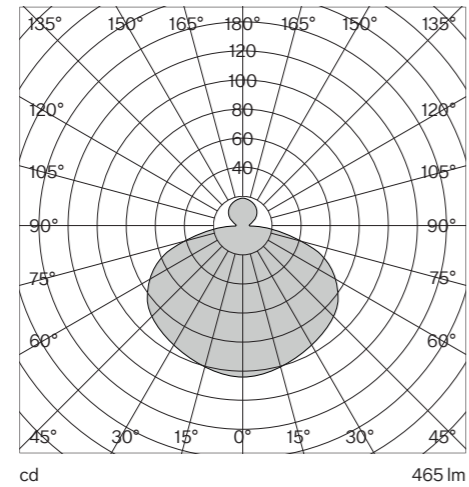
w202 Halo

Design: David Chipperfield

Luminous intensity distribution (polar)

w202 Halo s4

Luminaire luminous flux

 $\Phi = 465.4 \text{ lm}$ 

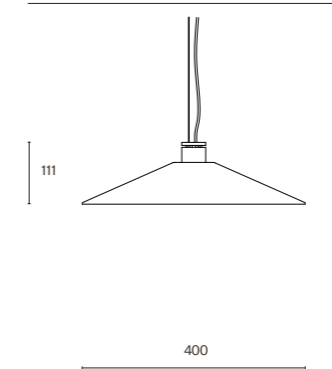
cd

465 lm

- C0/C180
- C90/C270

Physical	Mounting	Ceiling rose included
	Material	Shade & bulb: Mouth-blown opal glass Heatsink & top plate: Aluminium Ceiling rose: biopolyamide
	Cord length	300cm
	Net weight	Article specific
	Operation	External
LED	Light source	COB LED (included)
	Life time expectancy	50.000 h
	Lumen	690
	Lumen/ W	115
	Colour temperature (CCT)	2700 K
	Colour Rendering Index (CRI)	>90
Electronic	Watt	6W
	Light control	Phase-cut dimming
Packaging	Dimensions	Article specific
	Gross weight	Article specific

w202 Halo s4



Article specific information

Version	s4
Gross weight	4.0kg
Net weight	2.4kg
Packaging dimensions	W55 x L32 x H15.5 cm (0.03m3)
Art. No. / EAN code	202S400 / 7330492008714

Certificates

