

01

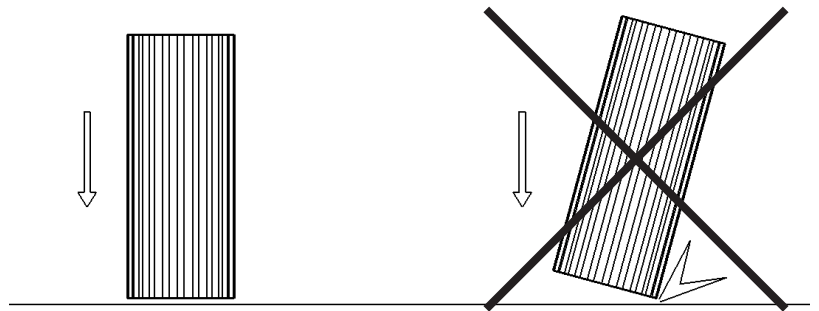
NORR11

GEAR COFFEE TABLES
Assembly Guide

Position legs on floor

Please make sure to always place the Gear Coffee Table legs in a direct vertical position.

The legs should always be resting on the gliders, protecting the porous concrete surface.



Position table top on legs

Gear Coffee Tables are made from fiber concrete, creating a stone-like surface with small holes and variations, making each table unique.

When assembling the table, please make sure to carefully rotate the table top, until the surface becomes stable.

