

# Fun 2DA & 2DM

*Design by* VERNER PANTON

*Please read thoroughly before assembly*

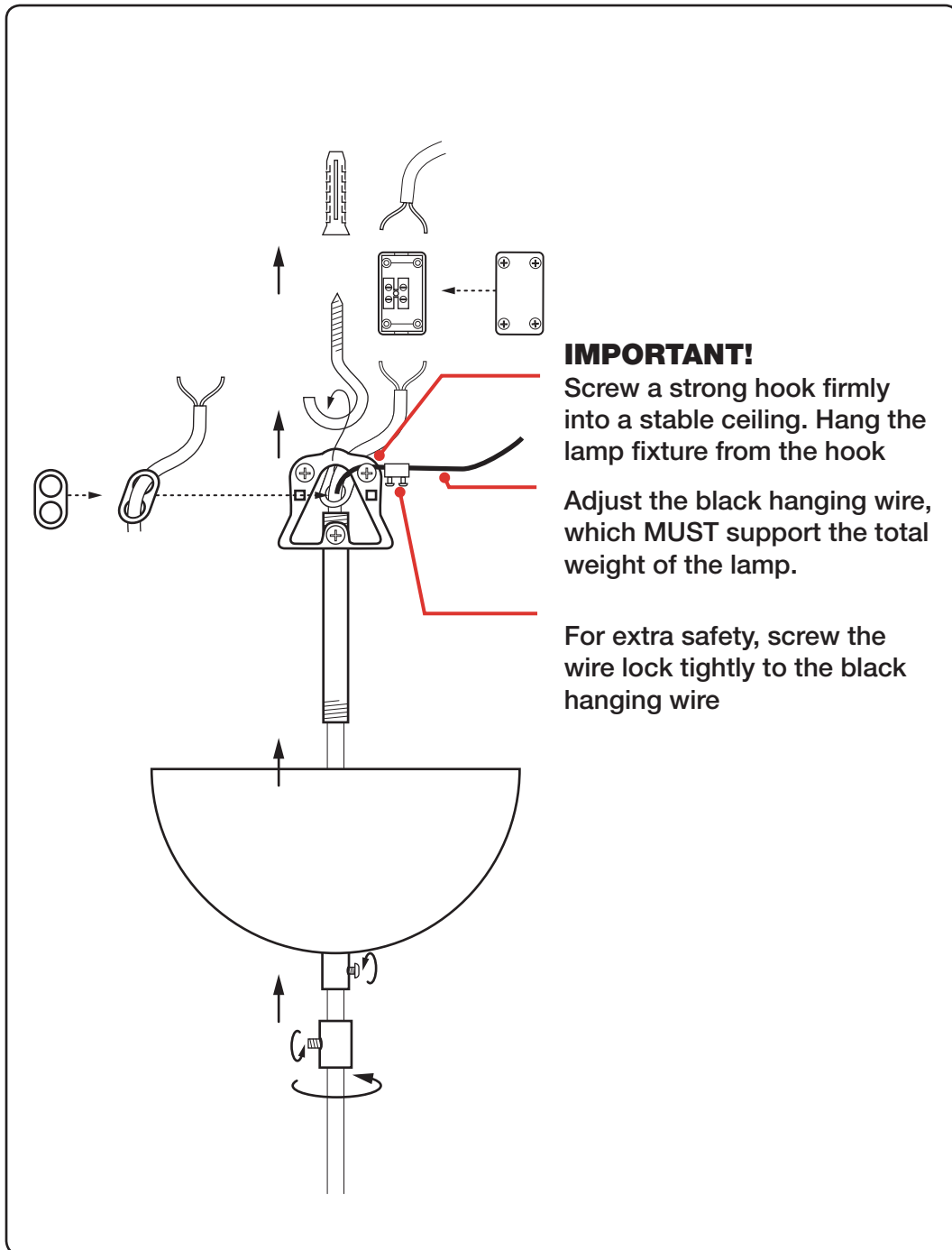


**IMPORTANT!**

ALWAYS TURN OFF THE ELECTRICAL CURRENT BEFORE  
INSTALLING ANY FIXTURE!

BE SURE THAT THE CEILING OUTLET BOX IS MOUNTED SO  
THAT IT CAN CARRY THE WEIGHT OF THE ENTIRE LAMP!

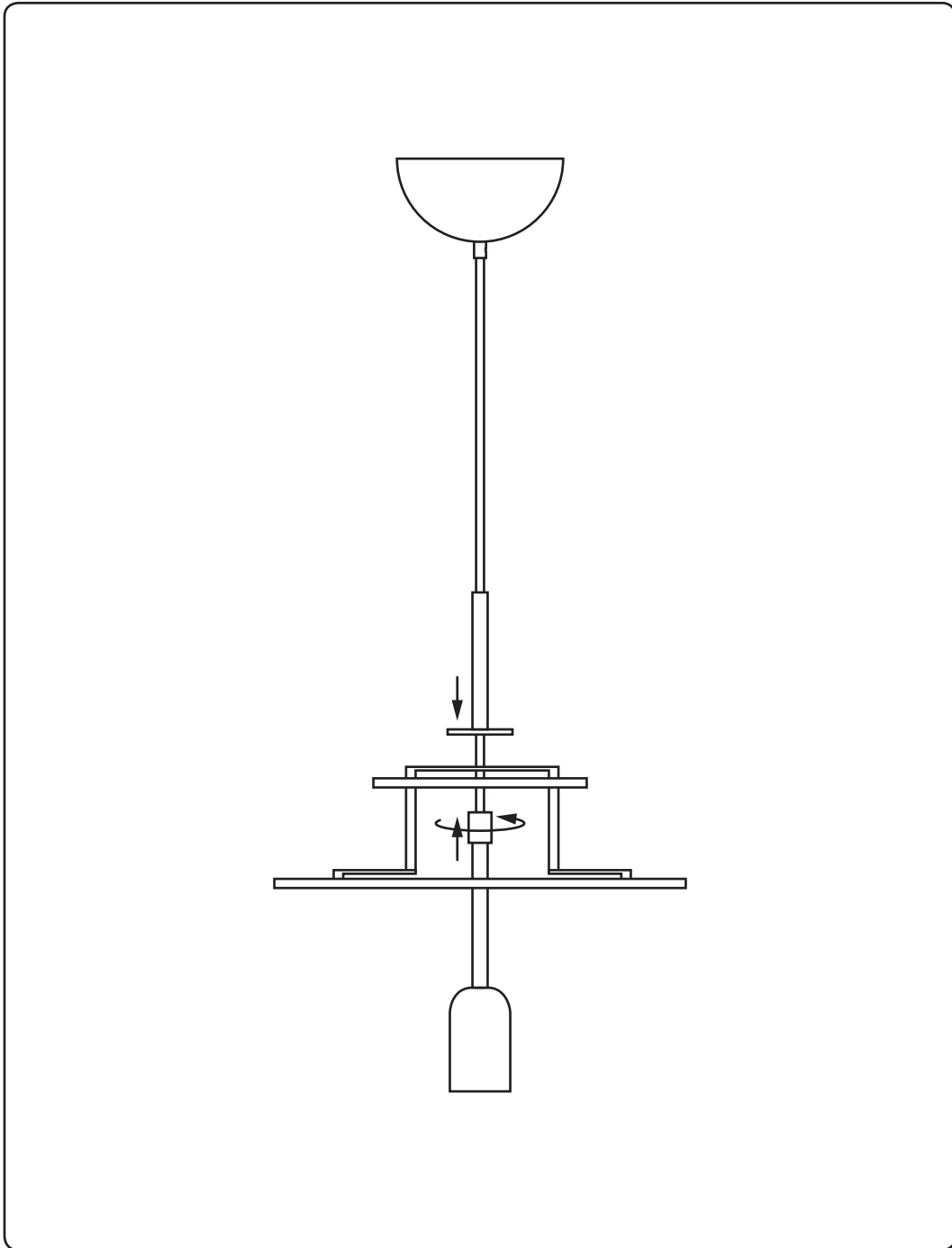
THERE MUST BE NO WEIGHT ON THE ELECTRIC WIRES!



**HANG THE TOP PART OF THE LAMP FROM THE CEILING**

THE LAMP MUST HANG FROM THE BLACK HANGING WIRE,  
NOT THE ELECTRIC WIRE!

THERE MUST BE NO WEIGHT ON THE ELECTRIC WIRES!

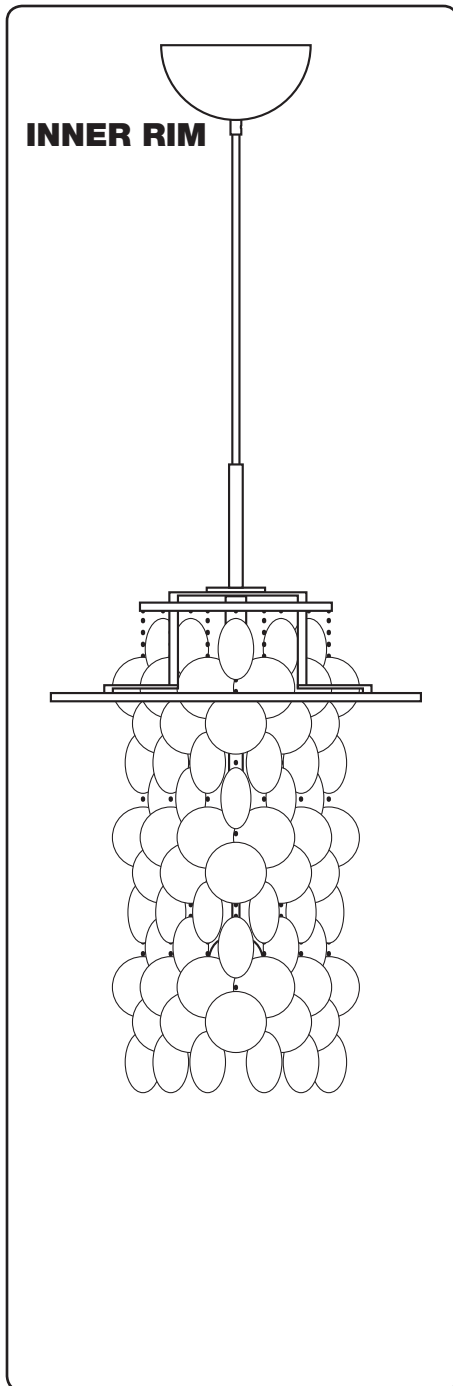


### **MOUNTING THE METAL FRAME**

After you have mounted the ceiling canopy to the ceiling please mount the metal frame together with the cord (incl. socket).

Screw the metal tubes firmly together!

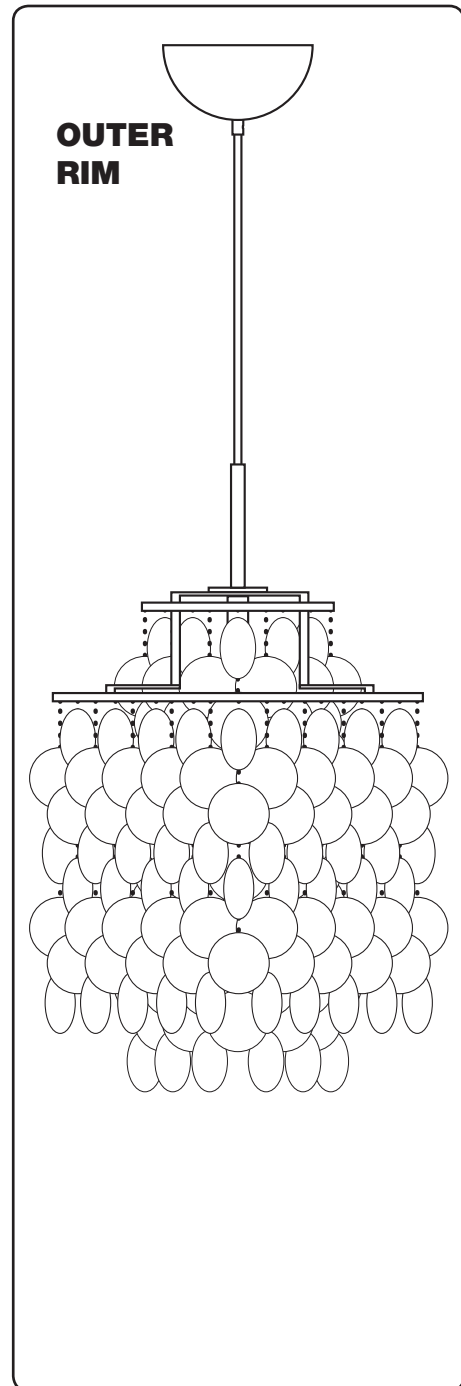
Now you are ready to hang the plates at the metal frame.



### INNER RIM

Mount plates from box with 6 pcs. Box is marked "INNER RIM".

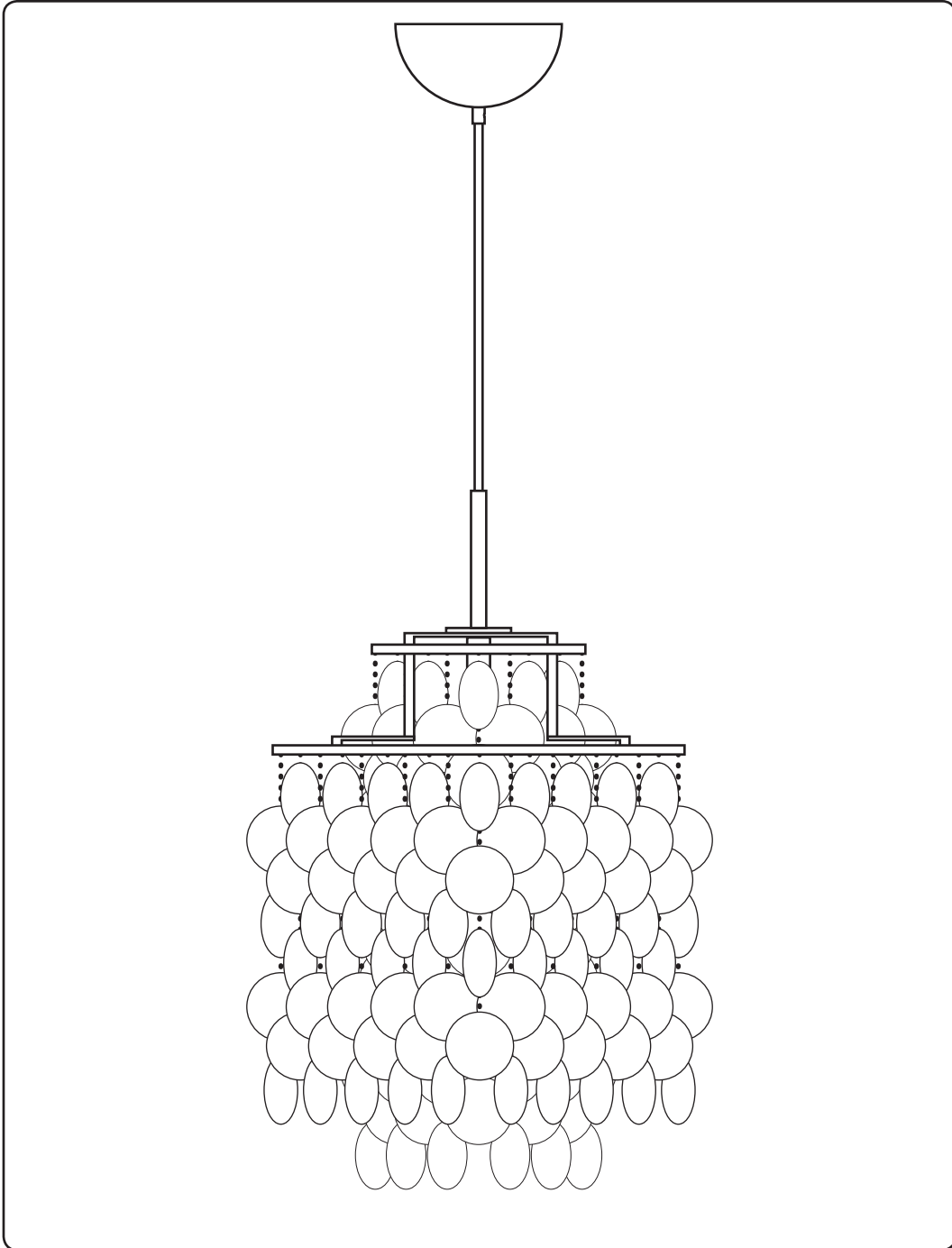
Please note:  
The chains in the box are not the same length, so it is important that you alternate between the two lengths.



### OUTER RIM

Mount plates from box with 4 pcs. Box is marked "OUTER RIM".

Please note:  
The chains in the box are not the same length, so it is important that you alternate between the two lengths.

**HOW TO CLEAN:**

Clean with a soft cloth, warm water and a mild detergent.  
Do NOT use any abrasive materials.

DESIGNED  
IN THE PAST  
**MADE FOR**  
**TOMORROW**

VERPAN ApS  
*Egeskovvej 29*  
8700 Horsens  
Denmark

[www.verpan.com](http://www.verpan.com)

[info@verpan.com](mailto:info@verpan.com)