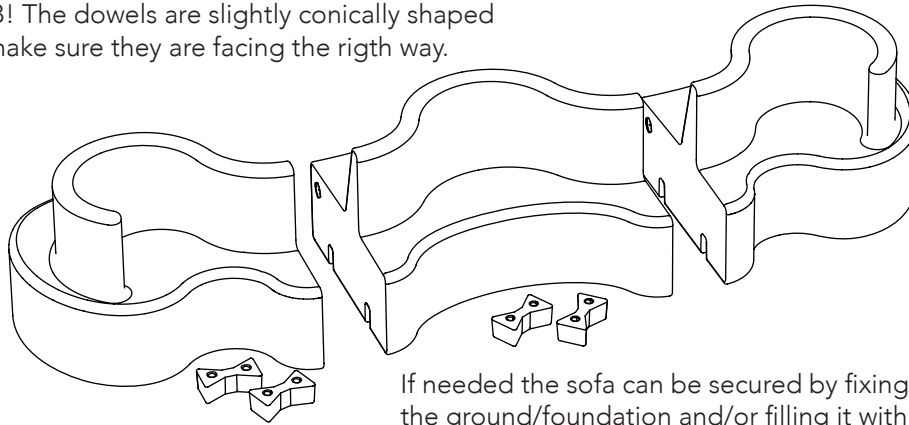


Cloverleaf in- and outdoor.

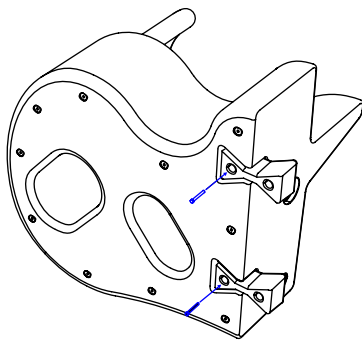
Verner Panton (1969)

The sofa units are put together with the enclosed butterfly dowels.
NB! The dowels are slightly conically shaped - make sure they are facing the right way.



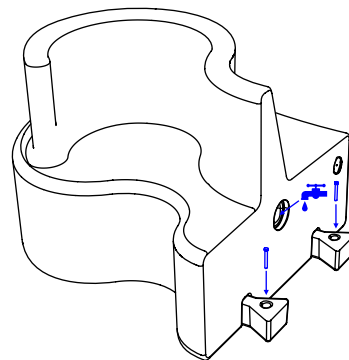
If needed the sofa can be secured by fixing it to the ground/foundation and/or filling it with water. Assembling with securement explained by the following step guide.

1



Fix the butterflies at the bottom of the left unit (bolts are enclosed).

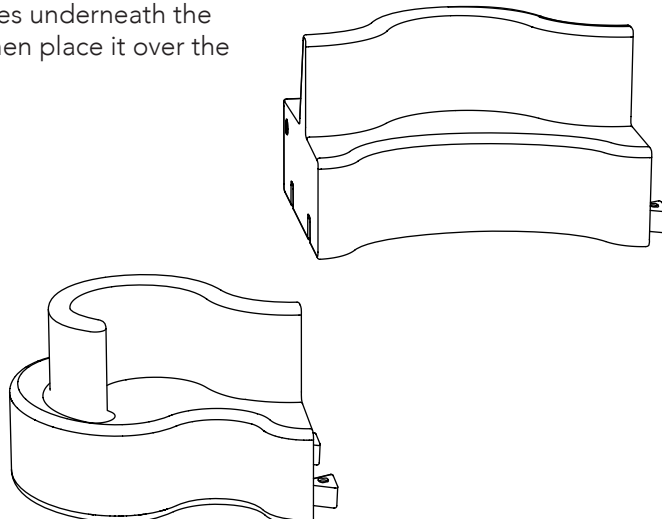
2



Fix the butterflies to the ground and/or fill the unit with water.

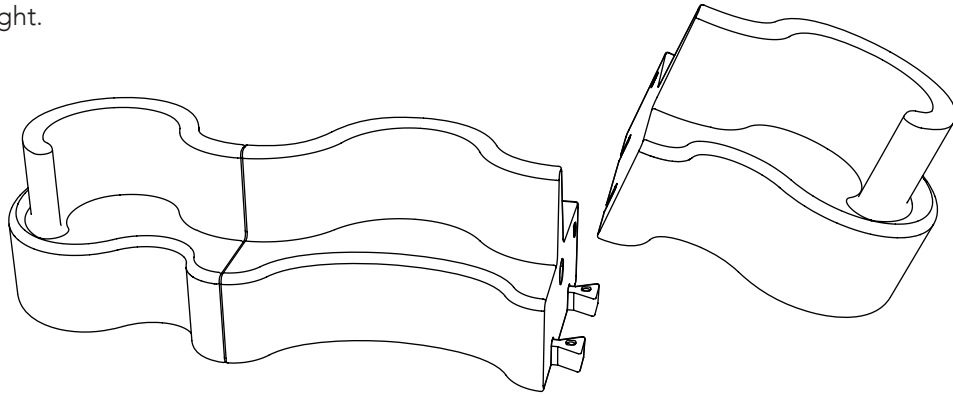
3

Fix the butterflies underneath the next unit and then place it over the left unit.



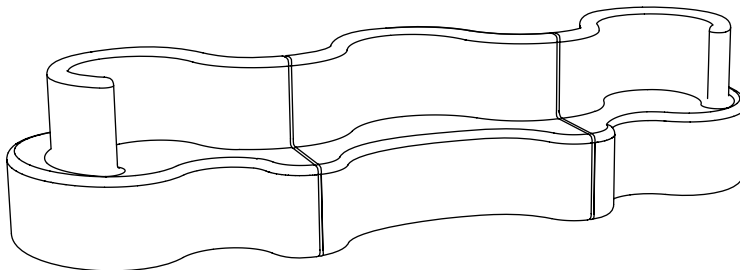
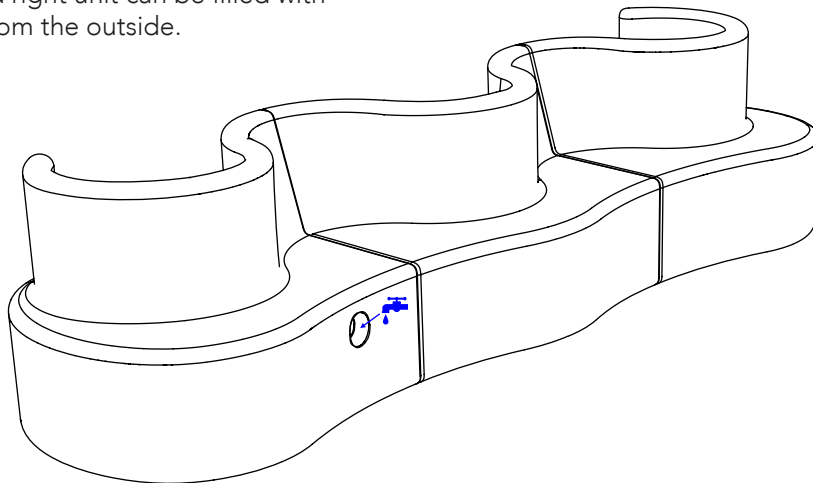
4

Continue placing the units going right.



5

The end right unit can be filled with water from the outside.



MAINTENANCE

Clean the sofa with normal detergent and high pressure cleaning.

DESIGNED
IN THE PAST
**MADE FOR
TOMORROW**

VERPAN ApS
Egeskovvej 29
8700 Horsens
Denmark

www.verpan.com

info@verpan.dk