

# Assembly & Care Guide

## *Karl-Johan Pendant*

The Karl-Johan Pendant is carefully crafted, making every piece unique. The use of natural materials means that differences in expression may occur, such as smaller marks and minor deviations.

### SAFETY INSTRUCTIONS

Please read the instructions carefully and keep them for future reference. New Works Aps is not responsible for any faults or damages caused by not following the instructions correctly.

Turn off electricity at the main circuit breaker panel before beginning the installation. Installation is to be carried out only by a qualified electrician. It is important that all wires are connected - when unpacking the box, be careful not to pull wires, as this may result in a bad connection.

This lamp must be permanently wired into the electric system. Different ceiling materials require different types of fittings. Always choose screws and plugs that are suited to the ceiling material.

The lamp is only intended for indoor use. Consult a professionally qualified electrician if any doubt. Follow the guidance **220-240V~ 50/60Hz - Small: Built in LED 7W / Large: Built in LED 7W**. The light source and lamp exterior may get hot after prolonged use.

Do not subject the lamp to any shock while lit as this may cause the lamp to break.

Keep the product out of children's reach. Dispose of the packaging and do not allow children to play with it. Do not modify the product in any way.

### CLEANING

Turn off the electricity before cleaning the lamp. Wipe the lamp shade with a soft dry or damp cloth. Do not use any abrasive cleaning tools, and never use strong cleaning agents such as household glass cleaner, white spirit or turpentine.

### MORE INFORMATION

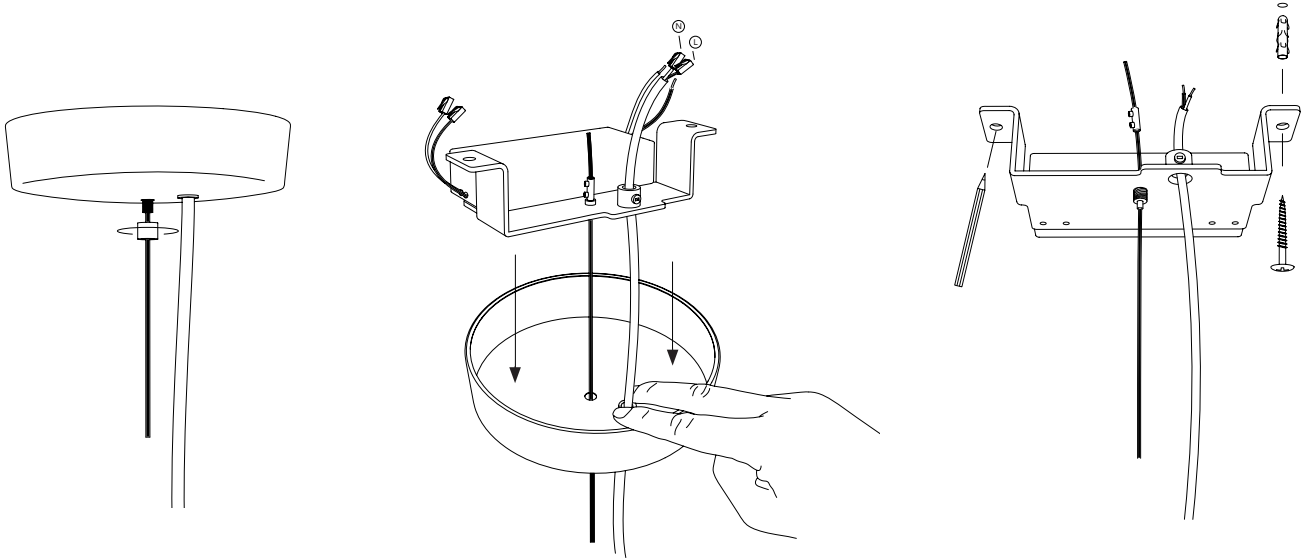
For more information such as product overview, material description and disclaimers - please visit our website at **[www.newworks.dk](http://www.newworks.dk)**. If you have any questions or comments, please do not hesitate to contact us at **[info@newworks.dk](mailto:info@newworks.dk)**.

## NEW WORKS.

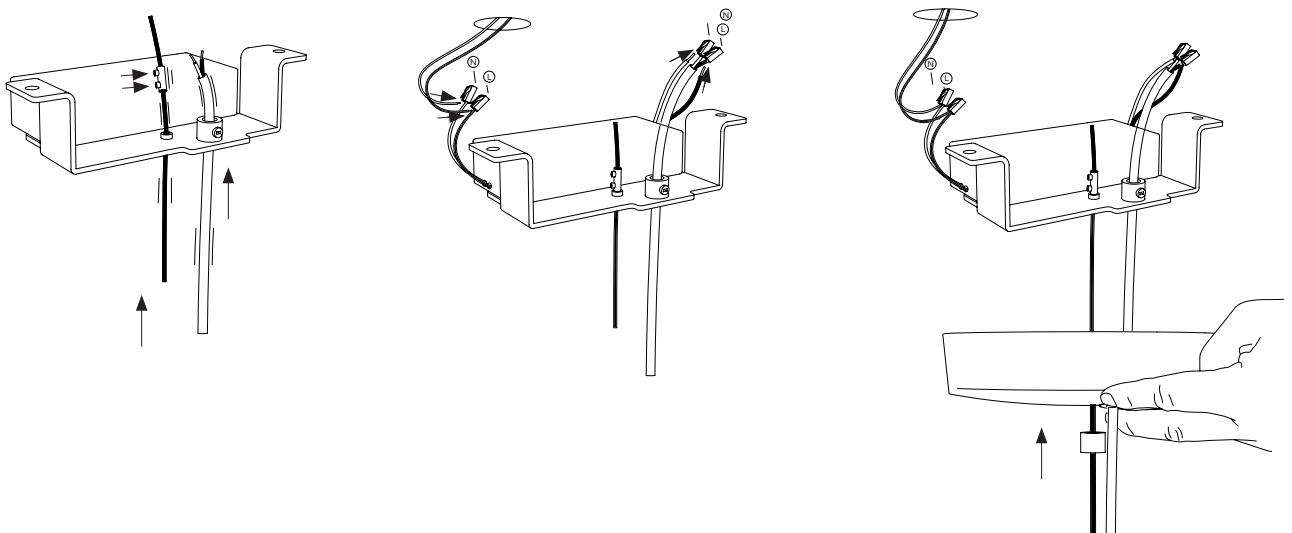
# Assembly & Care Guide

## *Karl-Johan Pendant*

Turn off electricity and the main circuit breaker panel before beginning the installation.



1. Loosen the nut to remove the canopy.
2. Hold two fingers on the silicone ring while moving the canopy downwards (wipe the cord with a damp cloth to reduce friction from the silicone ring). If needed disconnect the cord while installing the ceiling fitting.
3. Place the ceiling fitting in the desired position. Mark the holes and drill the holes. Use plugs and screws appropriate for the ceiling material.



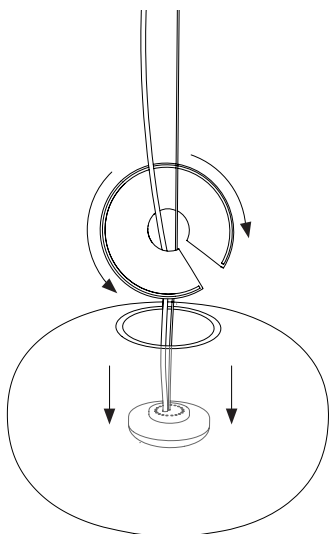
4. Adjust the lengths of the wire and cord. To secure the wire, the wire lock must be tightened with both screws.
5. Connect electricity by installing both cables, natural (N) and live (L) in the terminals. Consult a professionally qualified electrician if any doubt.
6. Move the canopy back up again by holding two fingers on the silicone ring while pushing the canopy upwards (wipe the cord with a damp cloth to reduce friction from the silicone ring). Tighten the nut to secure the canopy.

**NEW WORKS.**

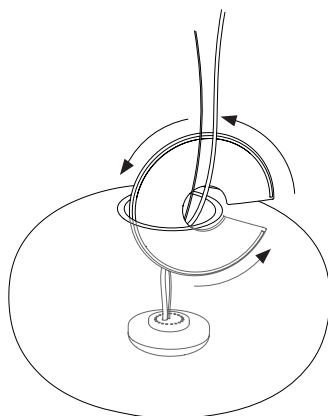
# Assembly & Care Guide

## *Karl-Johan Pendant*

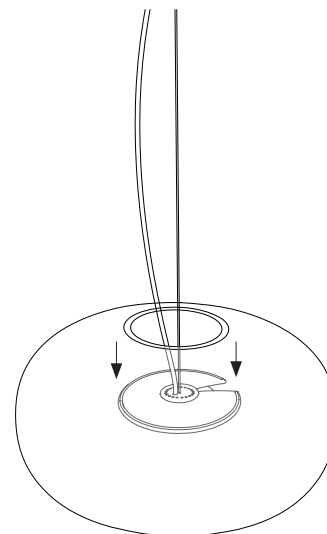
This step should be carried out by two people.



1. Lift up the aluminium cover ring while placing the light source globe inside the shade. Take the C disc and insert the cord and wire.

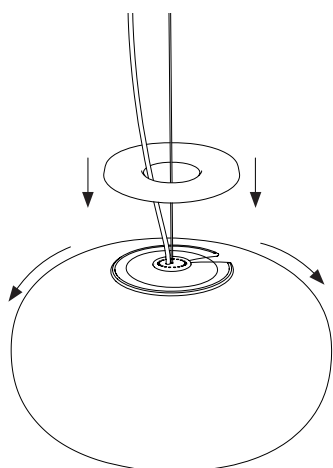


2. Angle the disk in an upright position and insert it inside the shade.

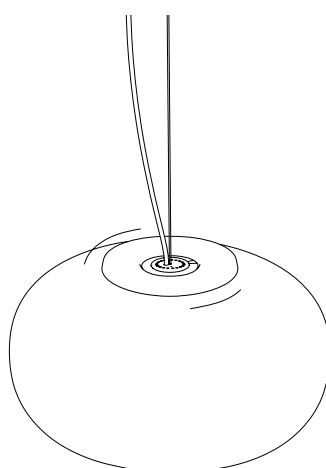


3. Place the disk on top of the light source globe. Make sure it is placed correctly before resting the shade on it.

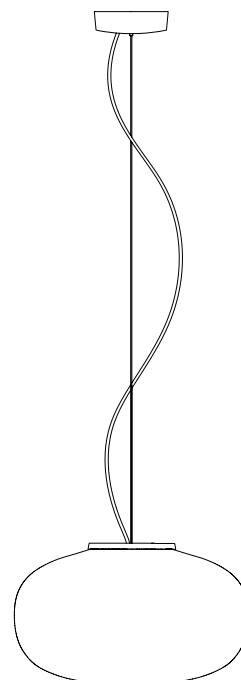
This glass shade is mouth blown and the unique nature of each piece means a slightly uneven weight balance might occur.



4. Adjust the shade by placing two fingers on the wire and moving it until the shade is hanging straight.



5. Place the aluminium cover on top of the shade.



6. Turn on the electricity again at the main circuit breaker panel.

**NEW WORKS.**