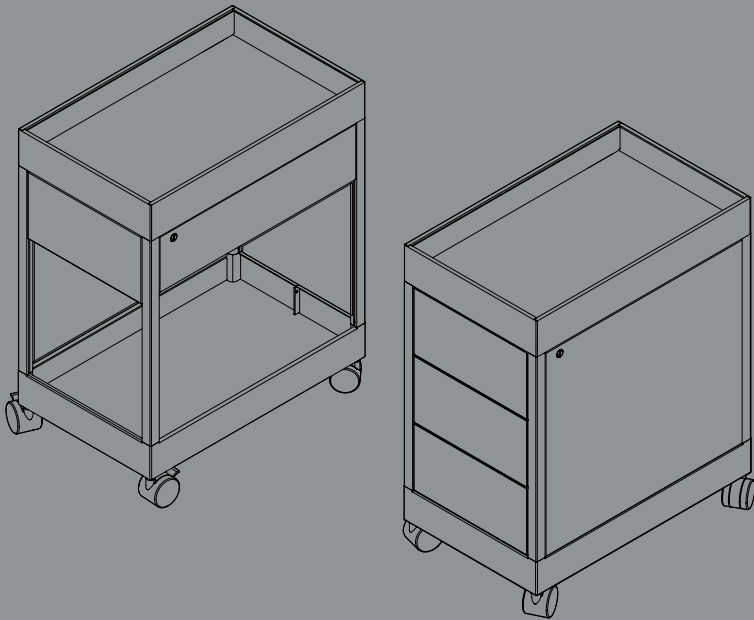


- INSTRUCTION MANUAL -

# NEW ORDER

TROLLEY A & TROLLEY B



DESIGN BY STEFAN DIEZ

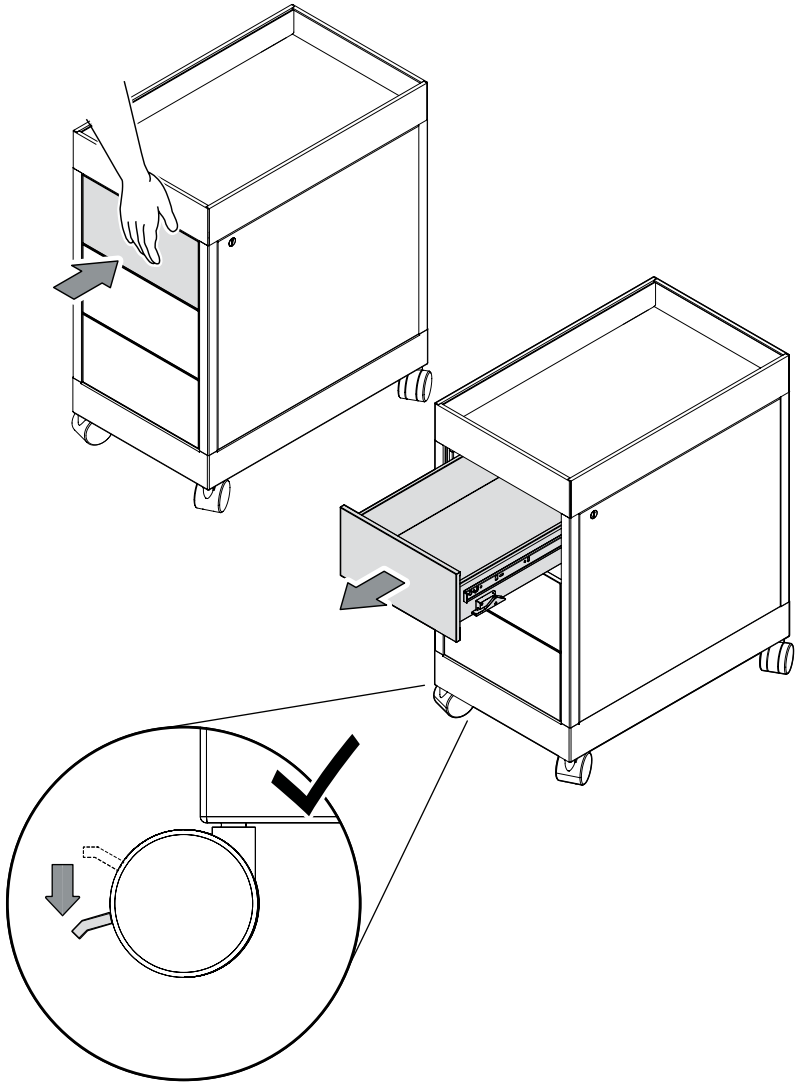
# HAY



Developed in collaboration with HAY, Stefan Diez's New Order is a modular shelving and table system designed to fit the ever-changing boundaries of contemporary workspace and living environments. The simple open-grid construction serves as a flexible and functional framework, enabling the user to create customised open or closed storage solutions with optional drawers, doors and panels. New Order's multifunctional tables are suitable as dining tables or meeting tables, used alone in a private setting or integrated with the shelving system and other space management components to make personalised workspace solutions. Diverse colour and material options extend the design possibilities, offering a versatile and aesthetic system.

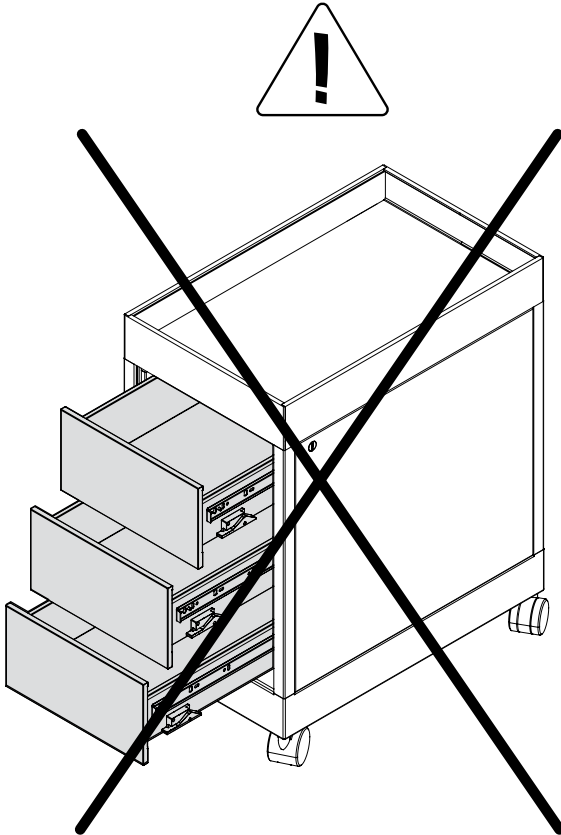
1.

All drawers on the trolleys are opened with a "push to open" system. Make sure you always unlock the lock before trying to open the drawers. The front wheels can be locked in place, as shown in the illustration below.



2.

Please note that the trolley has a lock to prevent tipping, which only allows you to open one drawer at a time.



## CAUTION

With a little care you can prolong the life of your furniture. Follow the instructions for the materials of your specific product to make sure that it stays in the best shape for as long as possible.

The information below is only intended as a general guideline. For more information on how to remove specific stains, please enquire where you bought the furniture.

- / Always remove stains quickly before they can do any permanent damage to the furniture.
- / Avoid placing the furniture in direct sunlight or near a heat source to reduce changes. As wood is a natural material, it will change in colour and will patinate over time.
- / When you move the furniture, make sure you lift it rather than pulling or pushing it to avoid damaging the floor, legs and mountings.
- / Tighten up the screws after one to two months' use and whenever required.
- / Be careful not to scratch or damage the surface with sharp objects.
- / Avoid partially covering the surface, for example with tablecloths or place mats, as colour variances may appear.

## ALUMINIUM

- / Wipe with a clean cloth wrung in water or in a solution of water and a neutral detergent. Remove soap residue immediately using a clean, dry cloth.
- / Avoid using scouring cream or scouring pads, as they may scratch the surface.

## POWDER COATED STEEL

- / Wipe with a clean cloth wrung in water or in a solution of water and a neutral detergent. Remove soap residue immediately using a clean, dry cloth.
- / Avoid using scouring cream or scouring pads, as they may scratch the surface.
- / White spirit (mineral spirit) can be used to carefully remove stains from chromed surfaces.
- / Do not use solvents as they may have an adverse effect on the coating.
- / Never use acetic acid or citric acid.



Havnen 1 8700 Horsens Denmark  
+45 4282 0282 / hay@hay.com

15/09/2020

**HAY**

ITEM NO. 850004



5 710441 289791