

### Mounting TV on TV stand

We advise against mounting a TV larger than 55" on the TV stand. The TV is secured by fixing the leather straps to the back of the TV in the appropriate brackets. The straps must always be firmly attached to the TV when the TV stand is being used.

### Care and maintenance

Keeping the product in a good condition prolongs its lifespan. Avoid unnecessary damage by following the guide below.

- Remove stains immediately to avoid permanent damage of the surface.
- Avoid pushing or pulling the product, when moving it, as this might damage the floor and the product.

### Brushed stainless steel

- Wipe with a moist clean cloth wrung in water or in a solution of mild soap and water. Remove any residue immediately using a clean dry cloth.
- Avoid using scouring cream or scouring pads on the surface, as they might scratch or damage the surface.

### Warranty

Eva Solo A/S guarantees that its products are free from manufacturing defects. The warranty covers materials and manufacturing defects, but not problems arising from incorrect use or natural wear and tear.

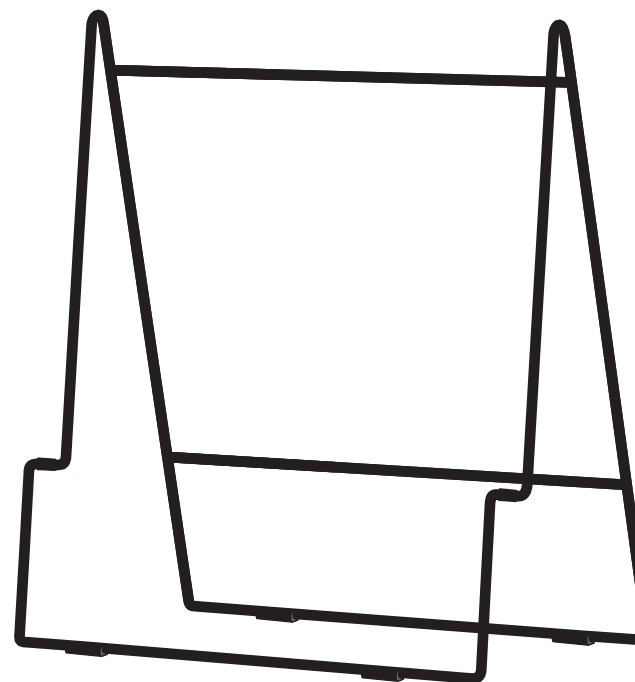
### Complaints

Right of complaint in accordance with applicable legislation. No right of complaint in the case of damage caused by using the products in any way other than for its intended use, or caused by incorrect handling, normal wear, inadequate or incorrect maintenance or incorrect repairs as well as tampering with the products by unauthorised persons. Remember to retain the receipt/invoice as it must be produced in the event of a complaint. Please contact the shop where the product was purchased. Errors and omissions excepted.

### Eva Solo A/S

Måløv Teknikerby 18-20  
2760 Måløv  
Denmark  
Tel.: +45 36 73 20 60  
[www.evasolo.com](http://www.evasolo.com)

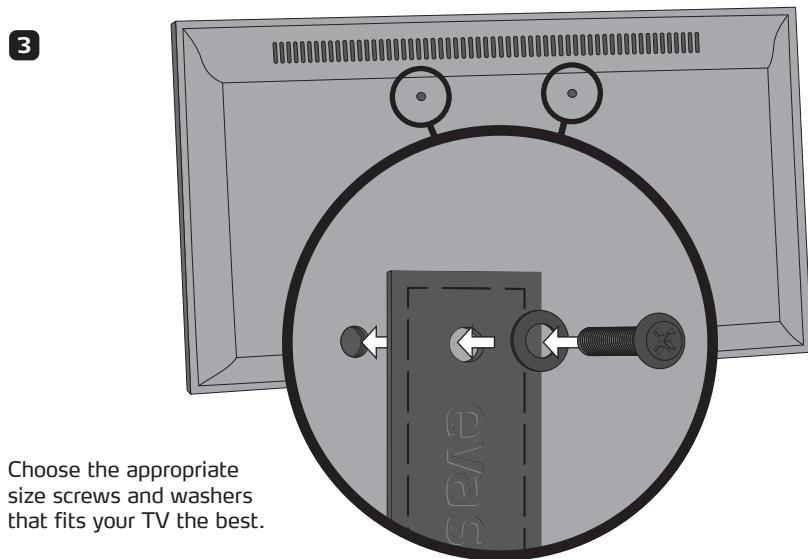
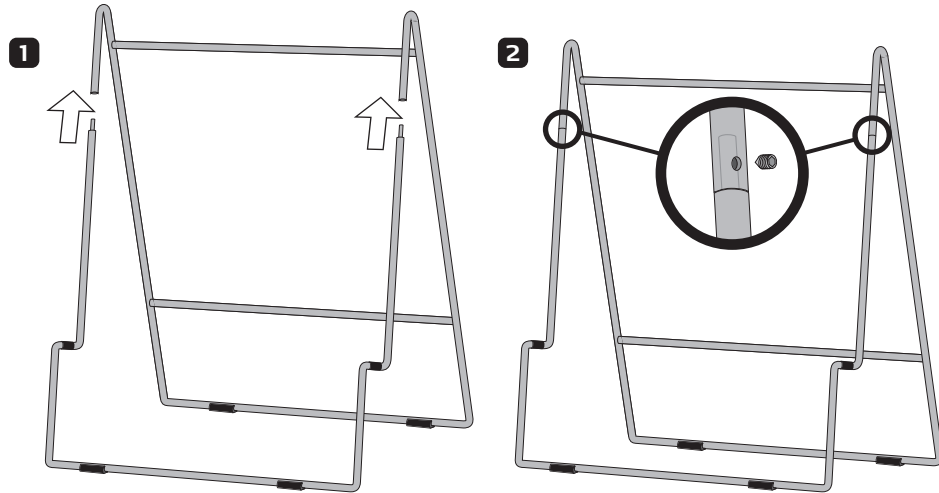
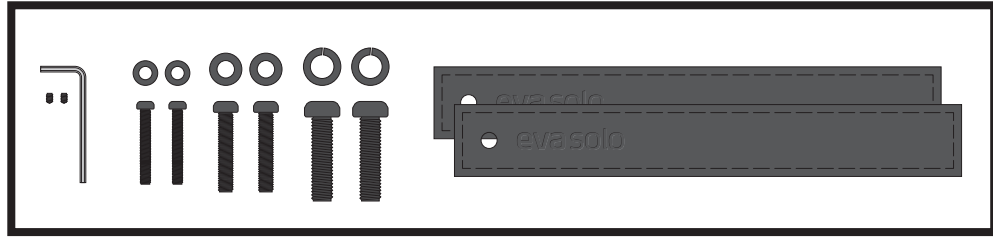
# eva solo



**eva solo**  
[www.evasolo.com](http://www.evasolo.com)

**Carry TV stand**

Designed by 3PART



Choose the appropriate size screws and washers that fits your TV the best.

