



PRODUCT SHEET

**Afterroom Counter/Bar Chair Plus**  
*by Afterroom*

# Afterroom Counter/Bar Chair Plus

BY AFTEROOM

Counter and bar chair with tubular powder coated steel, with a circular footring. Upholstered seat and extended, upholstered or walnut veneer backrest.



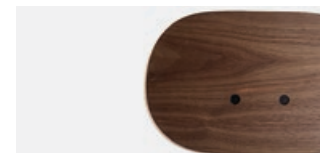
## PRODUCT OPTIONS

### SEAT

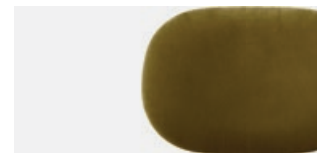


WITH UPHOLSTERY

### BACKREST OPTIONS



WALNUT



WITH UPHOLSTERY

### POWDER COATED STEEL BASE



BLACK STEEL

### SPEC OPTIONS

Available in fabrics from our upholstery programme. Standard lead times apply. Custom upholstery available upon request. For further information please refer to MENU Upholstery Programme.

Afterroom Counter Chair Plus, Black Steel / Gaja C2C 61115, by Afterroom  
 Afterroom Bar Chair Plus, Black Steel / Ritz Brun 8469, by Afterroom  
 Snaregade Counter Table, Light Grey Oak / Light Grey Oak, by Norm Architects  
 Snaregade Bar Table, Black Steel / Black Oak, by Norm Architects

# Afterroom Counter/Bar Chair Plus

BY AFTEROOM

## TECHNICAL SPECIFICATIONS

### PRODUCT TYPE

Counter and bar chair

### COLLI

1

### ENVIRONMENT

Indoor

### DIMENSIONS

#### Counter

H: 97 cm / 38,2"  
 SH: 63,5 cm / 25"  
 W: 48 cm / 18,9"  
 D: 54 cm / 21,2"

#### Bar

H: 102 cm / 40,2"  
 SH: 73,5 cm / 28,9"  
 W: 50 cm / 19,7"  
 D: 55 cm / 21,2"

### PRODUCTION PROCESS

The base is made of bended and welded steel tubes. The base has a powder coated finish. The seat is milled MDF with a painted finish. The upholstered seat is made on plywood upholstery shell, foam and upholstery. The walnut backrest is made of curved walnut veneer.

### COLOUR

**Seat and backrest with upholstery**  
 Dependent upon selected upholstery.

### Backrest

Walnut or dependent upon selected upholstery.

### Base

Black RAL (RAL 9005)

### GLOSS

Gloss 10-20

### MATERIALS

Powder coated steel, walnut veneer, plywood, CAL117 foam (50N / 50kg), upholstery.

### WEIGHT

Counter: 5 kg / 11 lb  
 Bar: 5,4 kg / 11,9 lb

### TEST

EN1022:2005, L2  
 EN16139:2013, L2

### CERTIFICATIONS

TSCA title VI compliant

### PACKAGING TYPE

Brown box

### PACKAGING MEASUREMENTS (H x W x D)

#### Counter

101 cm x 48 cm x 48 cm / 39,8" x 18,9" x 18,9"

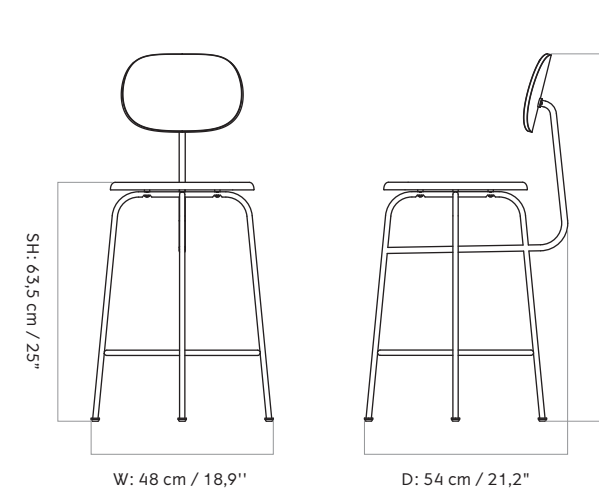
#### Bar

101 cm x 48 cm x 48 cm / 39,8" x 18,9" x 18,9"

### MATERIALS & MAINTENANCE

Please visit [menuspace.com](https://www.menuspace.com) for materials and care and maintenance instructions.

### AFTEROOM COUNTER CHAIR PLUS



### AFTEROOM BAR CHAIR PLUS

