

## INSTALLATION GUIDE

### *Plug-in Pendant*

Thoughtful lighting, responsibly designed in London.

Thank you for making the switch to Tala.  
Discover the full Tala family at [eu.tala.co.uk](http://eu.tala.co.uk)

### BEFORE STARTING

Please read instructions thoroughly before installation and keep them for future reference. Please take extreme care when dealing with electrical equipment.

### IMPORTANT

Bulb must be installed in fixture before turning on.

### WARNING

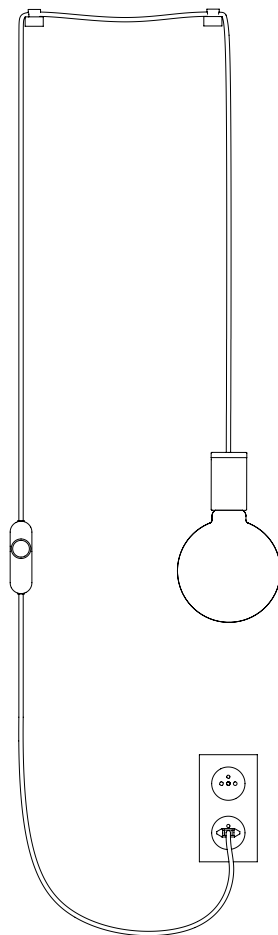
Ensure power is turned OFF before inserting plug.

### CARE AND CLEANING

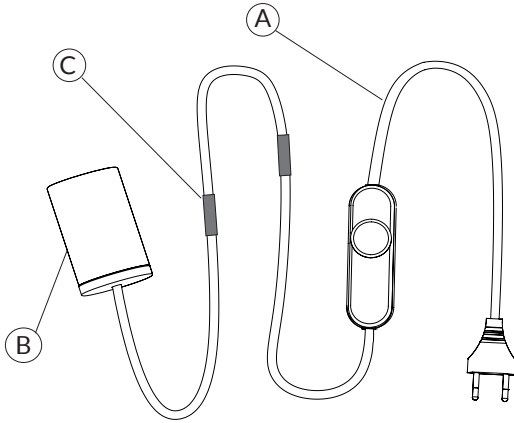
We recommend cleaning with a soft dry cloth. Do not use abrasive materials as these will damage the finish of the product.

### WARRANTY AND AFTER-CARE

This product has a three-year warranty. If there appears to be a functional defect with the product during this time, please contact our team at [customerservice@tala.co.uk](mailto:customerservice@tala.co.uk). The external flexible cable or cord of this luminaire cannot be replaced; if the cord is damaged, the luminaire shall be destroyed.



## PLUG-IN PENDANT - PROVIDED COMPONENTS

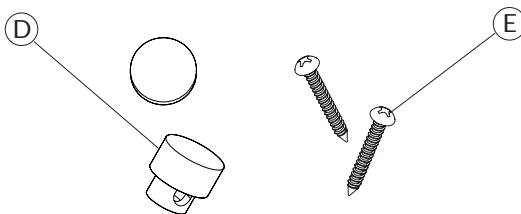


(A) x1 Cord with Dimmer Dial and EU plug

(B) x1 Pre-assembled Tala Pendant  
Oak, Walnut, Brass or Graphite

(C) x2 Insulation tubes  
*Adjustable - position in-line with nodes*

(D) x2 Ceiling Nodes  
*Consisting of 2 x caps and 2 x bases*

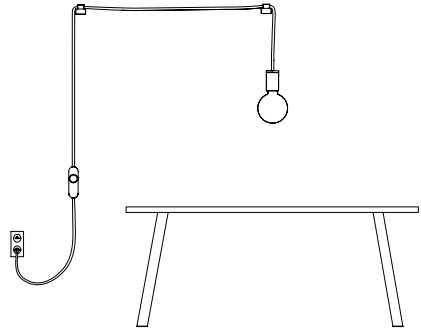
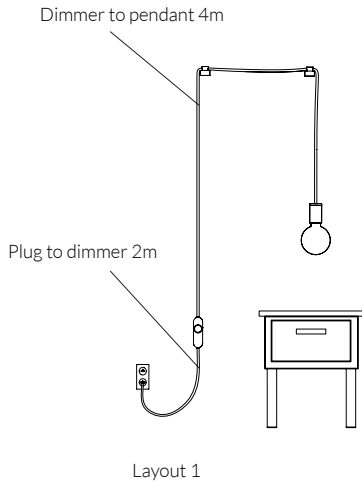


(E) x1 Fixing Pack  
*(Only use if suitable for ceiling type)*

## STEP 1

Decide on your layout for the Plug-in pendant, some examples are shown below.

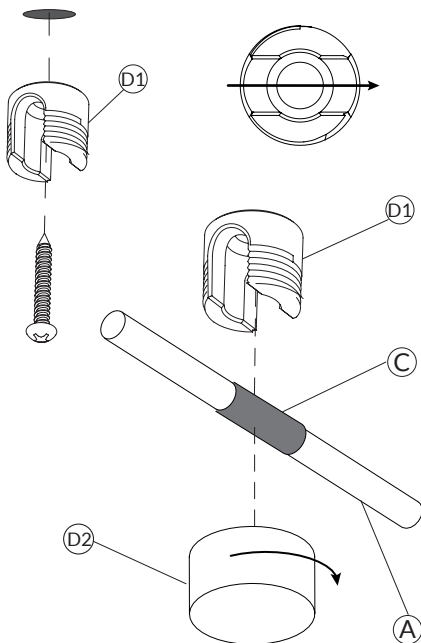
Ensure you have enough cable for your desired layout before setting up the pendant, and the dimmer is always accessible



## STEP 2

Attach Node base (D1) to ceiling. Always choose screws and plugs that are appropriate for the ceiling material.

Ensure the Node channel runs parallel with the planned cord direction.

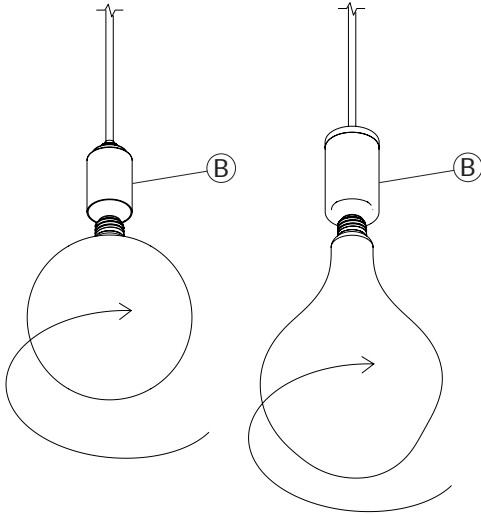


## STEP 3

Position the Cord (A) into the Node base (D1) at the desired points for your layout.

Slide the Insulation Tubes (C) into the centre of the Ceiling Nodes.

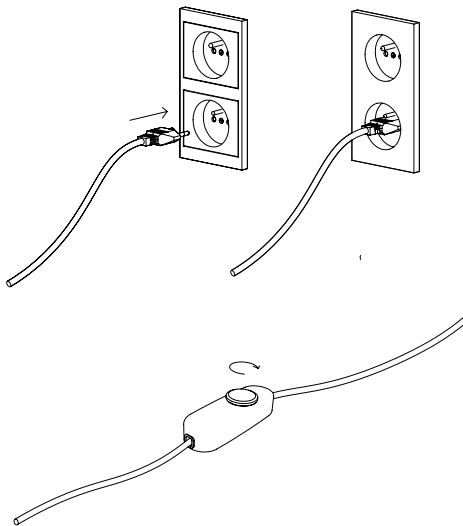
Screw the Node cap (D2) onto the Node base clockwise until secure. Do not over tighten.



#### STEP 4

Insert your bulb into the pendant, rotating clockwise until tight.

Take care not to tighten too much to avoid breakage.



#### STEP 5

Insert the lamp plug into your chosen wall socket, making sure the power is switched off.

#### STEP 6

Switch the power on and rotate the dial on your dimmer until the bulb lights up. Adjust the dimmer for your desired light output.

#### Join the Community

Instagram: @tala | Facebook: talaHQ | Pinterest: TalaLED | Tag: lighttoliveby  
Tala Studios, 25B Vyner Street, London E2 9DG | hello@tala.co.uk