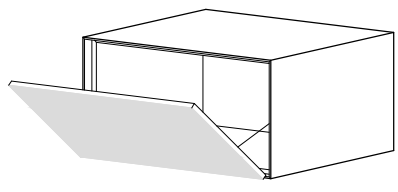
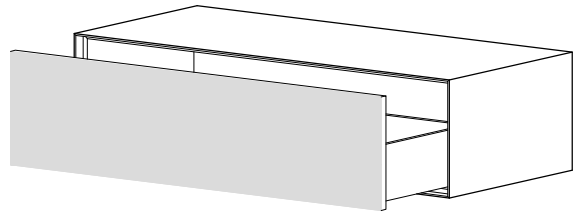
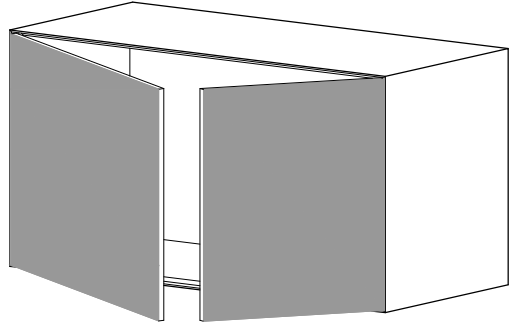
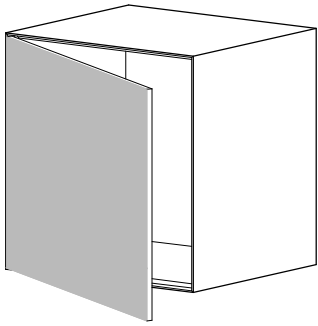
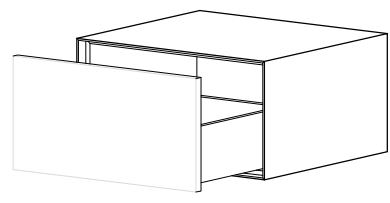
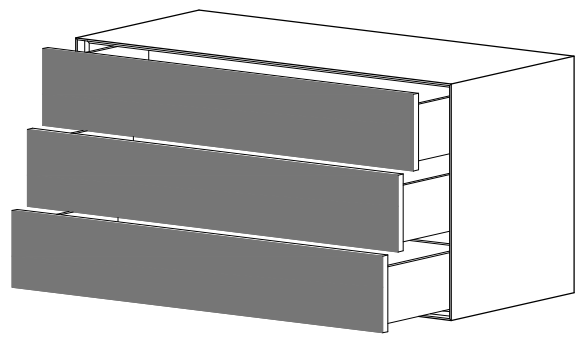
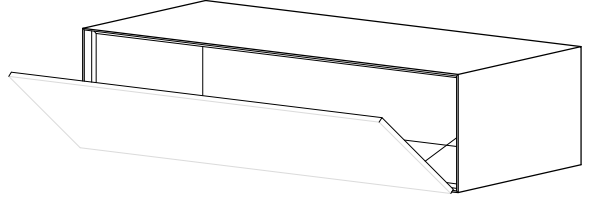


Nex Pur Box _____ **PIURE.**



Assembly Instructions

Fittings bag and use of the screws	page 3
Mounting and calibrating the adjustable feet	page 4
Screwing the units together	page 5
Reinforcement rail / Shelves	page 6
Adjusting the drawers	page 7
Adjusting the doors and flaps	page 8

Fittings bag and use of the screws _____ **PIURE.**

Fittings bag for connecting the units (BB 1536794)



Spax pan-head screw 3.5 x 40 mm, nickel-plated

for screwing the units together (only if needed)

Fittings bag for the adjustable feet (BB 1536795)



Circular glides ø 55 mm, black plastic

for adjusting the height of the units



Covering cap, white plastic

cap covers the drill holes for the height adjustment screws in the base of the unit



Chipboard screw 3.5 x 20 mm, galvanized

for screwing the glides on the base of the unit

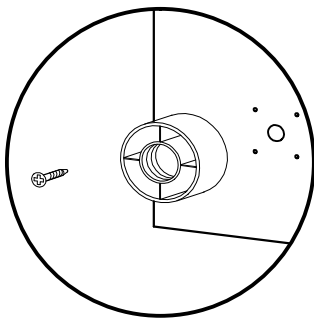
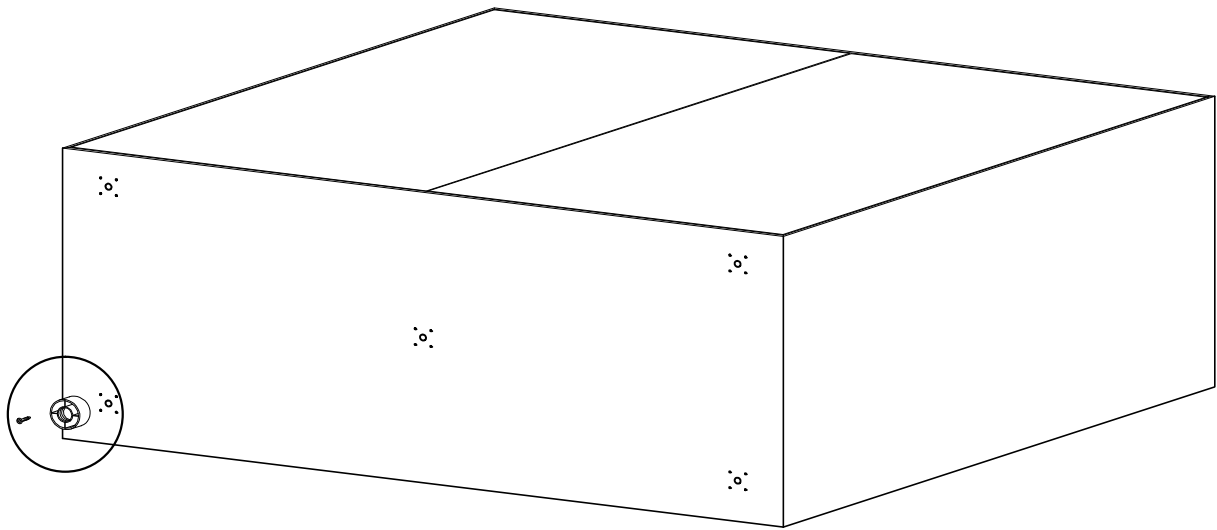
Fittings bag for the shelves (BB 1468710)



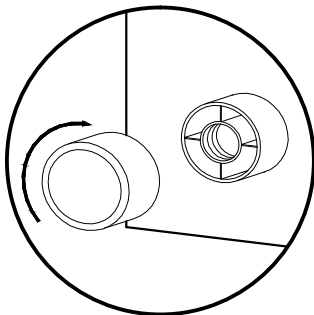
Shelf supports ø 3 mm, galvanized

function as support arms for the shelves

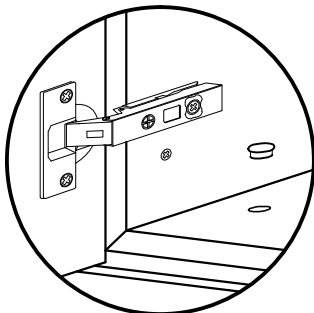
Assembling and calibrating the adjustable feet **PIURE.**



- the bottom shelf on each piece of furniture is ready prepared for mounting black plastic height-adjustable glides
- 60-cm wide units have 4 glides
- 120-cm wide units have 5 glides

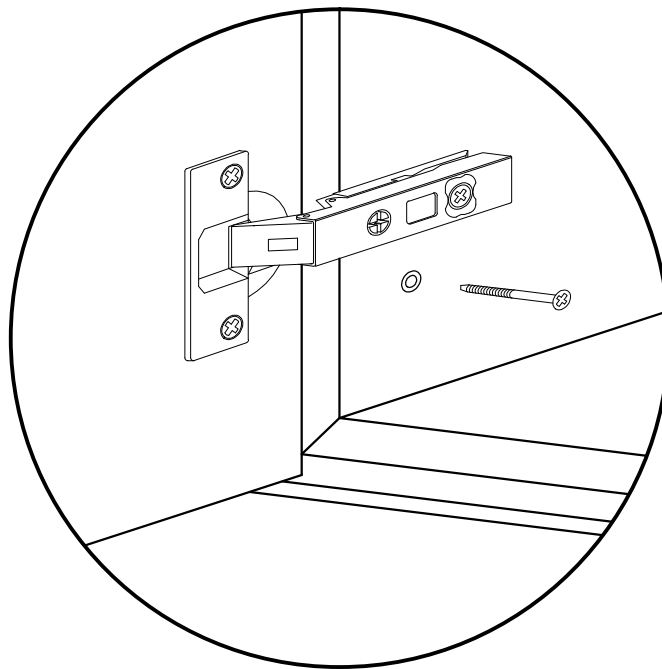
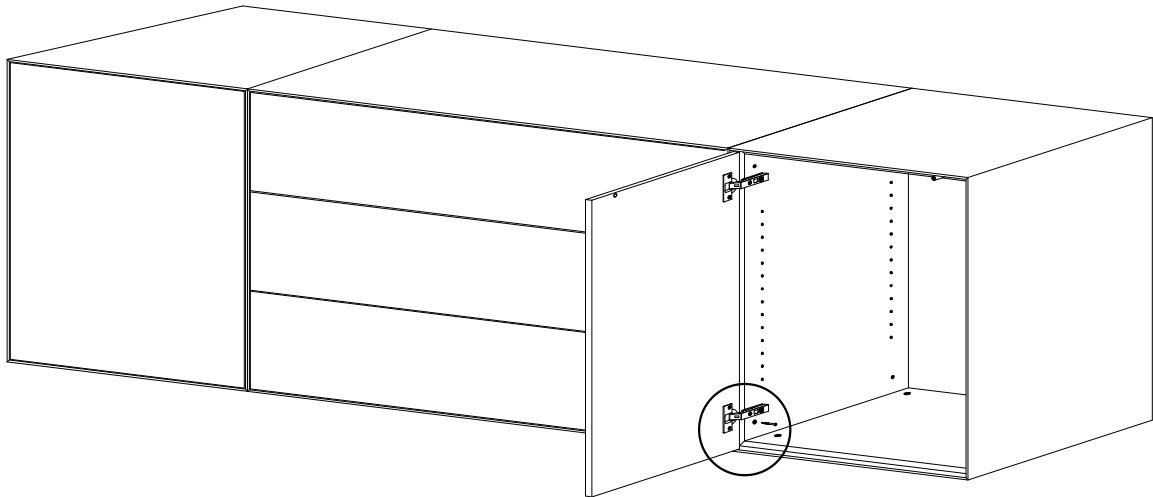


- screw the lower section of the glide into the pre-drilled holes
- turn the upper section of the glide until it meets the lower section
- slide a Phillips screwdriver through the drill hole in the bottom shelf of the unit and turn the glide to ensure the stands horizontally
- calibrating the furniture precisely is a prerequisite for the joints to line up perfectly



- following calibration, seal the drill holes using the covering
- on furniture and drawers the front adjustment drill hole is concealed by the front guide rail, the front adjustable glide can, however, also be rotated manually

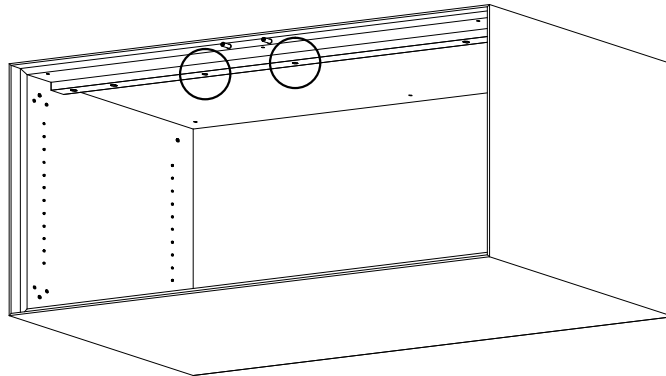
Screwing the carcasses together _____ **PIURE.**



- carcasses can be screwed together - either side by side or one on top of the other
- the sides and the upper shelves boast prepared drill holes for this purpose
- use the 3.5 x 40 mm pan head screws to screw the units together
- use clamps to secure the units when screwing them together

Reinforcement rail

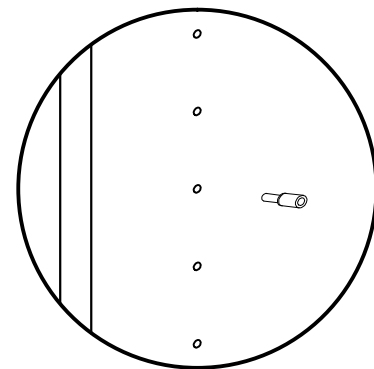
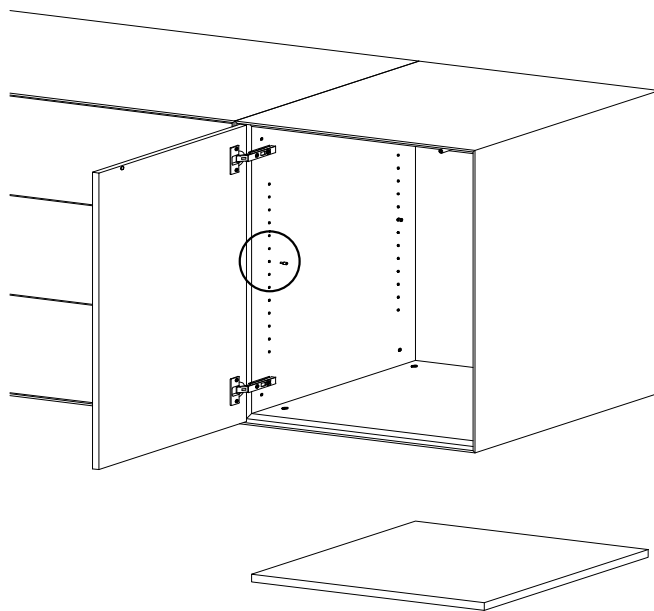
PIURE.



- all W1200 units are fitted ex works with a reinforcement rail beneath the top shelf
- using the adjustment screws tension the reinforcement rails and align the shells (3mm Allen key)

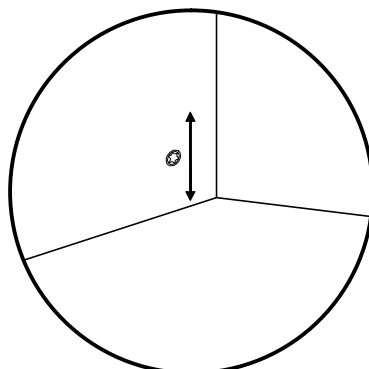
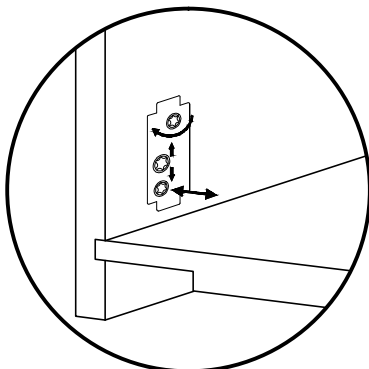
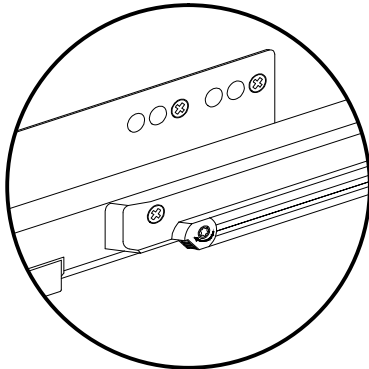
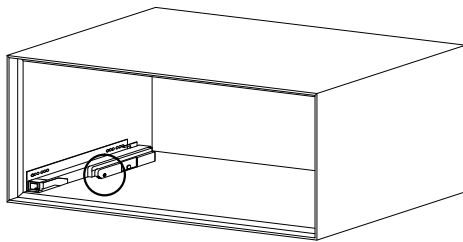
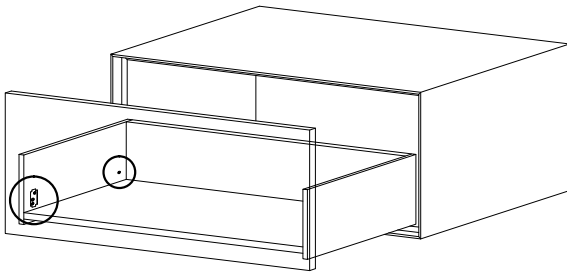
Shelves

PIURE.



- insert the shelf supports and lay the shelves on them

- all carcasses with doors and flaps are fitted with a shelf
- the shelf behind the flap is above the cable (only one position possible)



- the height, tilt, and depth, and sideways position of the drawers can be adjusted (Torx 20)
- to take out a drawer open it fully, release the locking lever beneath the drawer base at the front on both sides, and pull the drawer out
- to insert the drawer place it on the (slid-in) rails and push it in; it clicks into place automatically
- only insert guides in parallel, as otherwise the synchronization unit can be damaged
- assemble, dismantle and adjust drawers as per the manufacturer's instructions

Calibrate the depth of the front

- calibrate the depth of the front (beneath the base of the drawer) using the dial (orange plastic) in the middle of
- the guide rail Adjustment range + 2 / - 2 mm

Calibrate the height of the front

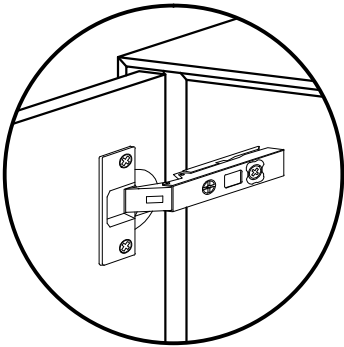
- use center screw to adjust height of the front
- adjustment range + 2 / - 2 mm

Calibrate the sides of the front

- the front panel can be adjusted sideways by turning the lower screw in the frame
- adjustment range + 1.5 / - 1.5 mm

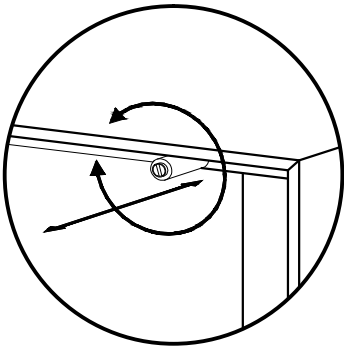
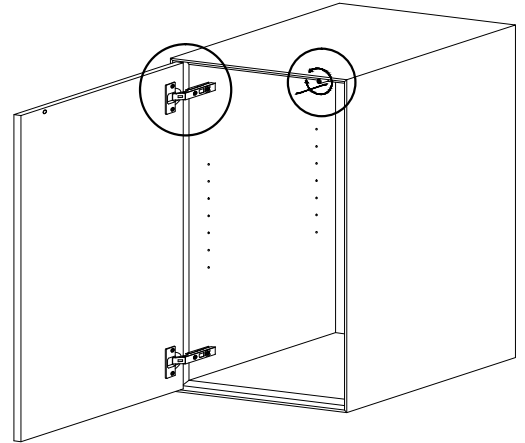
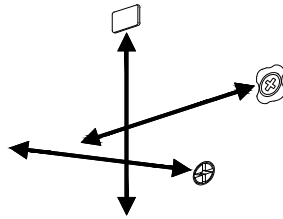
Calibrate the tilt of the front

- the tilt of the drawer can be adjusted by means of the rear screw in the frame
- clip the adjustment screw covering caps back on

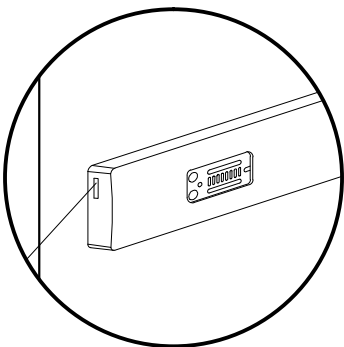
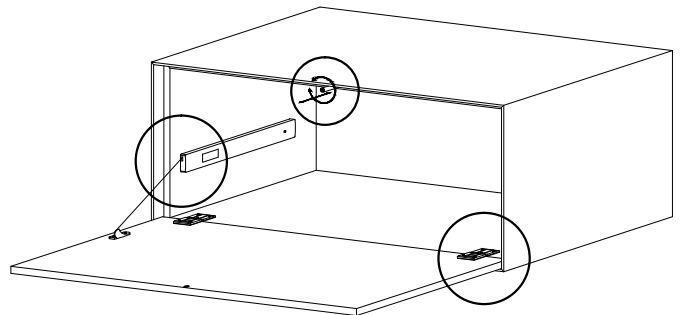


Adjusting the doors

- calibrate the doors using the 3D hinge adjustment (remove the hinges' covering caps)

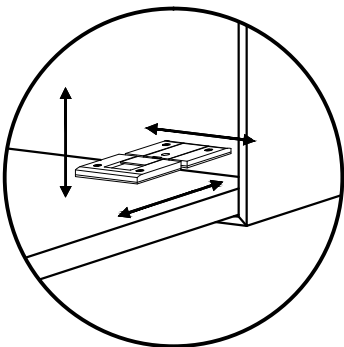


- by turning the magnetic catch, calibrate the door and flap level and the return of the front to the unit



Adjusting the flaps

- calibrate the opening force and angle on the cable (pre-set ex works)
- turn the upper screw to adjust the opening force (PH 2 / PZD 2)
- Turn the lower screw to adjust the opening angle (PH 2 / PZD 2)



- calibrate the flaps by means of the 3D hinge adjustment
- remove the covering caps and calibrate the flap such that there is an even joint pattern
- clip the adjustment screw covering caps back on