

**IMPORTANT**

If you have any problems regarding the electrical installation, contact a certified electrician. Always shut off power to the circuit before starting installation work.

230VAC /50HZ - Max 60 Watt E27 x 2



&TRADITION A/S  
PAPIRØEN, TRANGRAVSVEJ 24  
DK-1436 COPENHAGEN K, DENMARK  
P +45 39200233 F +45 39200256  
ANDTRADITION.COM

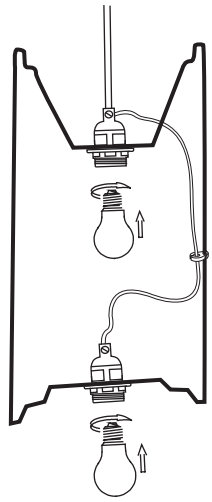


## FORMAKAMI ASSEMBLY INSTRUCTIONS

2015

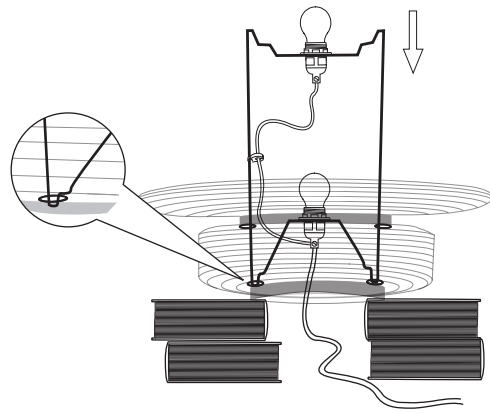
 **tradition**<sup>®</sup>

1



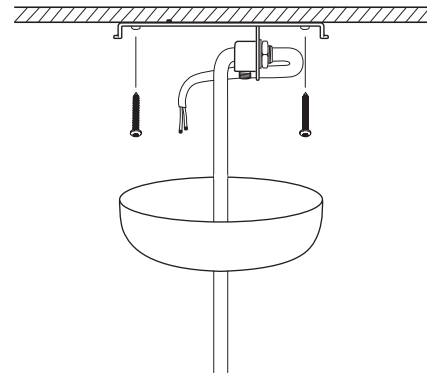
Start by screwing in the bulbs.

2



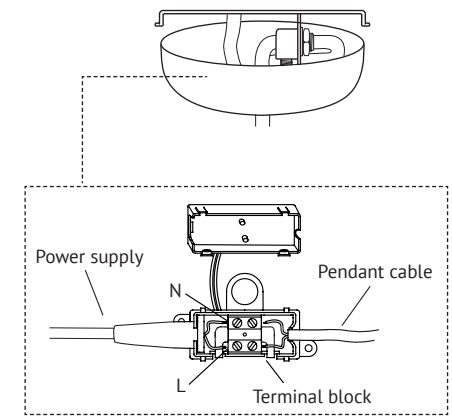
Place the paper shade up-side-down on a raised surface allowing for a gap to pass the cable through. (We recommend two large books). Then place the top of the frame through the bottom of the shade and into the metal hoops connected to the top of the pendant.

5



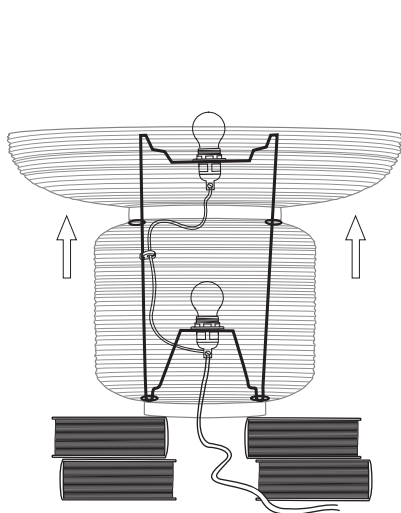
Mount the metal bracket securely in the ceiling with screws and appropriate plugs. Fix the cable in the correct length in the plastic cable lock.

6



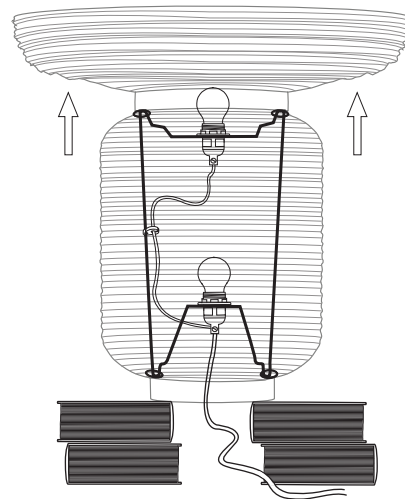
Use the terminal block inside the junction box to assemble the wires from the pendant with the wires from the power supply. Close the junction box and place it inside the canopy.

3



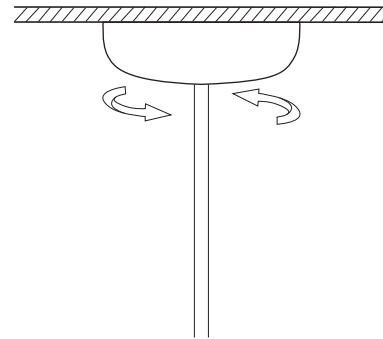
Carefully pull the shade up over the rest of the frame and hook it into the secondary set of hoops.

4



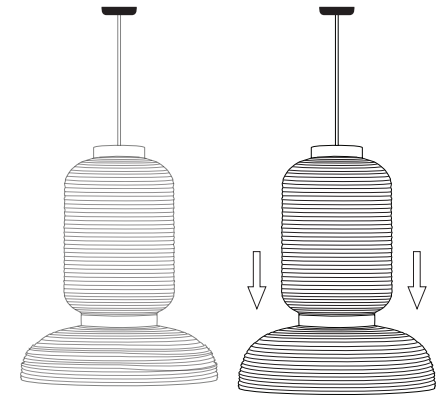
After inserting the frame the pendant should look like this.

7



Put the canopy over the metal bracket and twist to lock into place.

8



Once the pendant is in place, carefully stretch and adjust the bottom of the shade to make sure paper is fully folded out.