

KTRIBE W

Mounting	Wall
Lamps description	1 x 70W E27 HSGS or 1 LED 8W E27 740lm 2700K dimmer
Environment	Indoor
Finish	Aluminized bronze, Aluminized silver, Fabric, Fumée, Transparent
Technical description	Wall mounted fixture providing diffused lighting; a switch located near the diffuser allows for 4-level light adjustment via a "remote" dimmer. Cover rose in die-cast, polished and chrome-plated Zamak alloy. Arm and diffuser support in polished aluminum tube. Injectionmolded PC (polycarbonate) inner diffuser opal color. Outer diffusers in transparent or fumée PMMA (polymethylmethacrylate) and silver or bronze on the inner surface, by vacuum aluminum coating. Injection-molded PC (polycarbonate) upper ring, completely transparent, or transparent brown for the outer bronze diffuser.



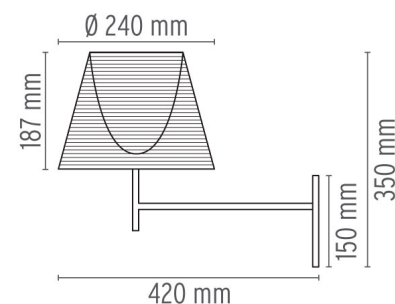
Ktribe W

designed by Philippe Starck

Wall mounted fixture providing diffused lighting.

● F6307000	Transparent
● F6307004	Aluminized silver
● F6307046	Aluminized bronze
● F6307030	Fumée
● F6307007	Fabric

DIMENSIONS



ELECTRICAL

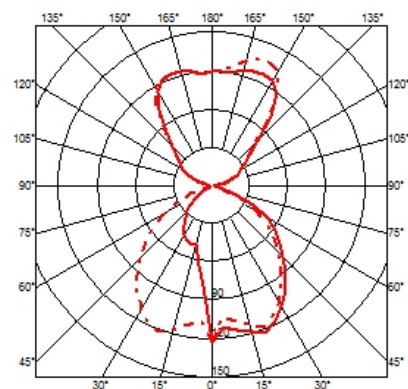
Emergency	Without
Switching	A switch located near the diffuser allows for 4-level light adjustment via a "remote" dimmer.
Voltage (V)	230

PHYSICAL

Supply	Terminal block
Construction material	Aluminum, Fabric, PMMA, Polycarbonate
Weight (kg)	1.7
Number of heads	1



CERTIFICATIONS



Ktribe W . Lamps



HSGS 70W E27

Lamp wattage:
70 W

Lamp category:
Halogen mains

Socket:
E27

Lamp type:
HSGS



LED 8W E27 740lm 2700K

Lamp wattage:
8 W

Lamp category:
LED

Socket:
E27

Lamp type:
LED



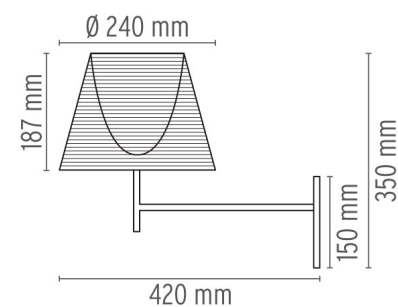
Ktribe W

designed by Philippe Starck

Wall mounted fixture providing
diffused lighting.

- F6307000 Transparent
- F6307004 Aluminized silver
- F6307046 Aluminized bronze
- F6307030 Fumée
- F6307007 Fabric

DIMENSIONS



CERTIFICATIONS

