

NEMO

APPLIQUE DE MARSEILLE

Le Corbusier

Le Corbusier designed the Applique de Marseille for his Paris apartment at Rue Nungesser et Coli. Wall lamp, double emission, in aluminium painted in matt grey or matt white, with white internal diffusers.



NEMO

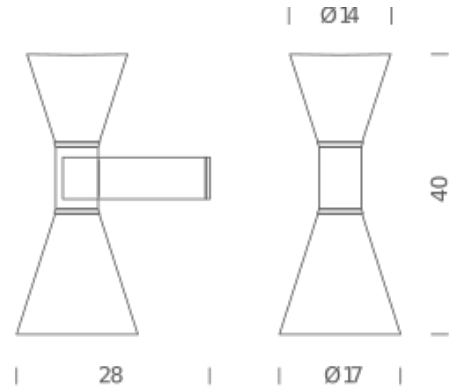
APPLIQUE DE MARSEILLE

Le Corbusier

E27 FLUO/LED/HALO

Lamping

Source	E27 A60
Total power	2x52W
Emission	double, direct + indirect
Switching	mono switch
Tension	230V
Materials	aluminium
Notes	mono switch, double emission, *grey matt RAL7046, white wash (inside the diffuser) RAL9002



Codes

ADM EWW 31

Structure

whitewash

Diffuseur

ADM EDD 31

matt grey/whitewash (inside)



Package 1

Dimensions	29x44x26
Gross weight	4 Kg