

# Audo

COPENHAGEN



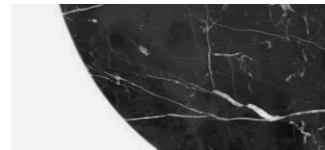
ANDROGYNE SIDE TABLE Ø63  
Designed by *Danielle Siggerud*

Perfectly proportioned, the Androgyne Side Table balances a rounded marble tabletop on a powder coated steel base that features wide, flat legs, laser-cut for precision. The architect-designed piece is offered in a number of materials that can be co-ordinated or contrasted as desired. The latest addition to the collection is a tabletop in Emperador marble, a richly veined marble with intense brown tones, as well as calcatta viola, already known from the Plinth Collection. Carefully selected for its inherent beauty and light-reflecting qualities, the different marble tops provide a top provides a tactile and natural contrast to the sleek metal.

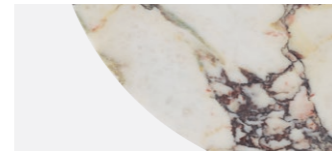
## PRODUCT OPTIONS

*Tabletop*

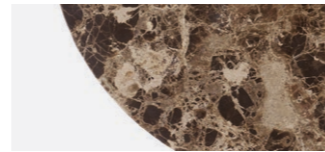
CRYSTAL ROSE MARBLE



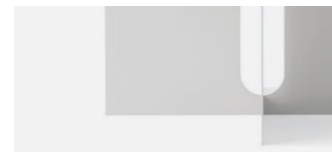
NERO MARQUINA MARBLE



CALACATTA VIOLA MARBLE



EMPERADOR MARBLE

*Powder coated steel base*

IVORY



BLACK STEEL



BRUSHED STEEL

## TECHNICAL SPECIFICATIONS

PRODUCT TYPE  
Side table

COLLI  
1

ENVIRONMENT  
Indoor

## DIMENSIONS

*Steel base*  
H: 38 cm / 14,96"  
Ø: 63 cm / 24,8"

*Marble top*  
H: 1,8 cm / 0,71"  
Ø: 65 cm / 25,59"

## PRODUCTION PROCESS

Welded CNC-cut steel sheet with powder coated or polished finish.

## COLOUR

*Table Top*  
Calacatta Viola Marble  
Nero Marquina Marble  
Crystal Rose Marble  
Emperador Marble

*Base*  
Brushed steel  
Black  
Ivory

MATERIALS  
Steel, marble

WARRANTY  
2 Years

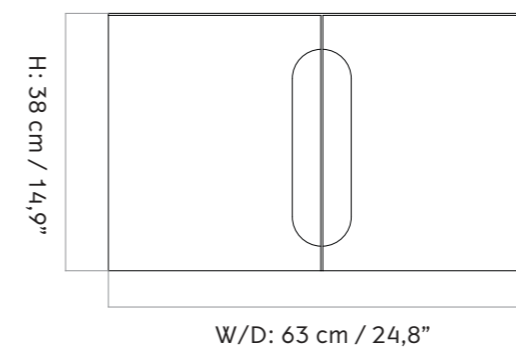
PACKAGING TYPE  
Brown box

PACKAGING MEASUREMENTS  
(H × W × D)  
N / A

MATERIALS & MAINTENANCE  
Please visit [audocph.com](http://audocph.com) for materials, care and maintenance instructions.

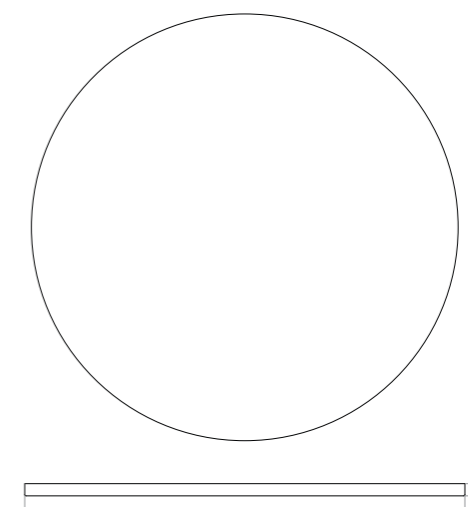
PRODUCT CARE INSTRUCTIONS  
Discover our product care guide for comprehensive care instructions.

STEEL BASE



W/D: 63 cm / 24,8"

MARBLE TABLETOP



Ø: 65 cm / 25,5"

H: 1,8 cm / 0,71"