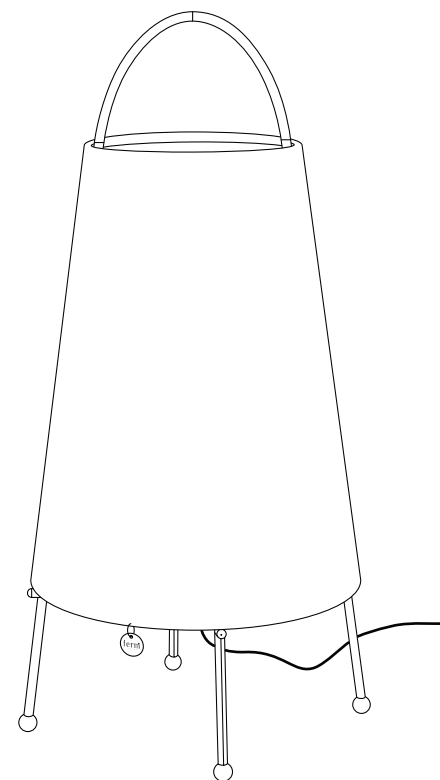


# PORTI LAMP

---

## ASSEMBLY MANUAL

[fermliving.com](http://fermliving.com)



**ferm**  
L I V I N G

## GENERAL INSTRUCTIONS

Please read before installation

### WARNING:

The safety of this fitting can only be guaranteed if the following instructions are observed during both installation and use. Please retain these instructions safely after installation.

### Please observe the following guidelines:

- Ensure that the power supply has been switched off prior to installation or removal of the product.
- Never undertake an electrical installation without the proper knowledge or training. If not familiar with electrical wiring, contact a qualified electrician.
- The product may in no way be modified or tampered with. Any modification may compromise safety and make the product itself dangerous to use. FERM LIVING does not accept any responsibility for products that have been modified.
- The light source contained in this luminaire shall only be replaced by the manufacturer or his service agent or a similar qualified person.
- This product is meant for dry location use only.

### CLEANING INSTRUCTIONS:

- Use only a soft cloth to clean the product. Dampen the cloth with water and soap or a mild cleanser if needed.

### MORE INFORMATION:

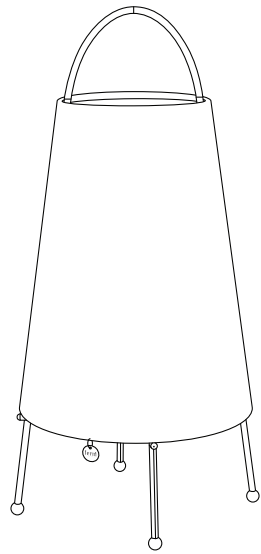
To access further information such as product overview and material descriptions, please visit our website at [www.fermliving.com](http://www.fermliving.com) if you have any questions or comments, please do not hesitate to contact us at [info@fermliving.com](mailto:info@fermliving.com).

## TECHNICAL SPECIFICATIONS

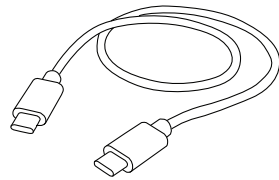
### PORTI LAMP

<b>Voltage:</b>	5V DC (Lamp input)
<b>Cable:</b>	5%-100% touch dimming
<b>Dimmable:</b>	2W, 3V DC
<b>Light Specification:</b>	2700K 50lm Max
<b>Energy Class:</b>	G
<b>Battery capacity:</b>	3,7V, 5000mAh, Lithiumion rechargeable Charging time 5 hours Discharging time 12 hours (max power)
<b>Certification:</b>	CE/UKCA/CB/ETL/SAA/RoHS
<b>Recommended Light source:</b>	Non-removable LED
<b>Recommended adapter:</b>	100-240V 50/60Hz input, 5V/2A output (Adapter not included)

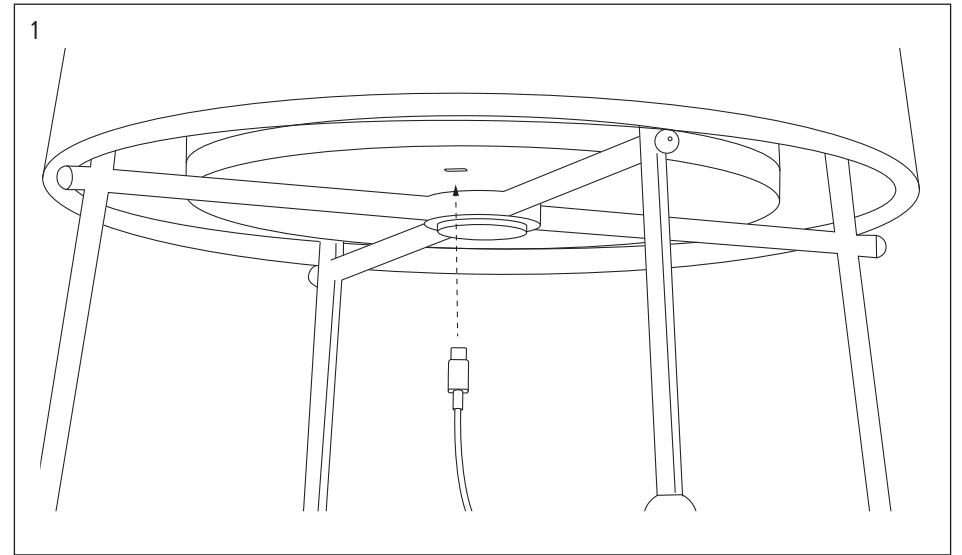
## BOX CONTENT



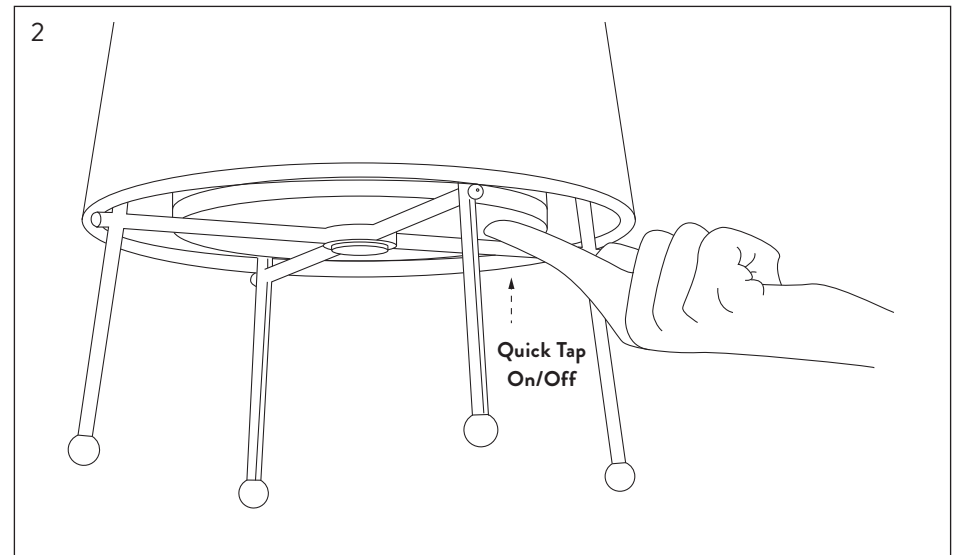
x1  
Lamp



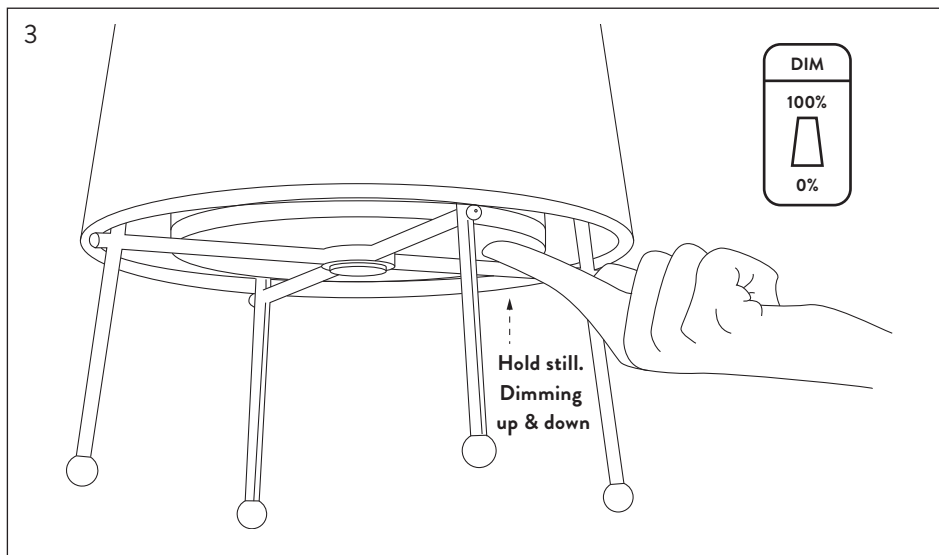
x1  
USB-C cable



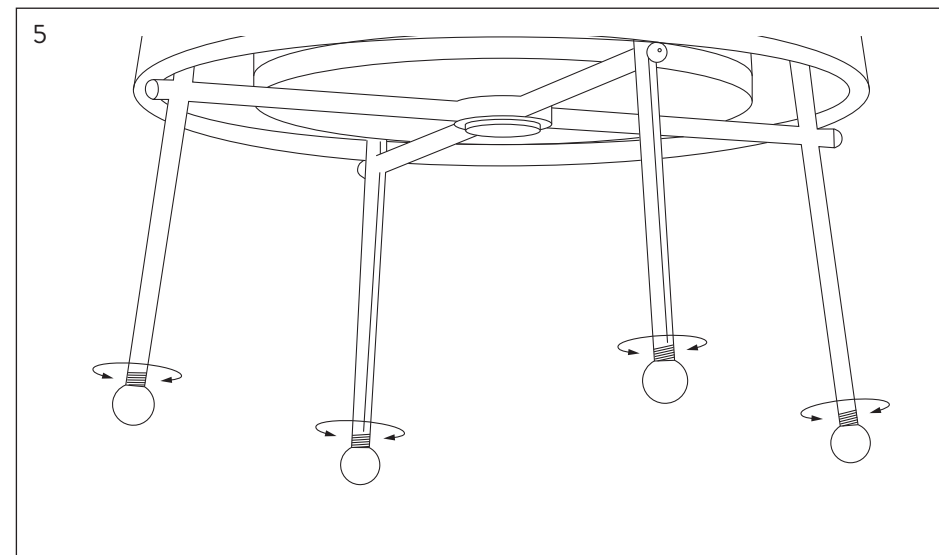
1. Insert usb-c cable at the bottom for charging the lamp.



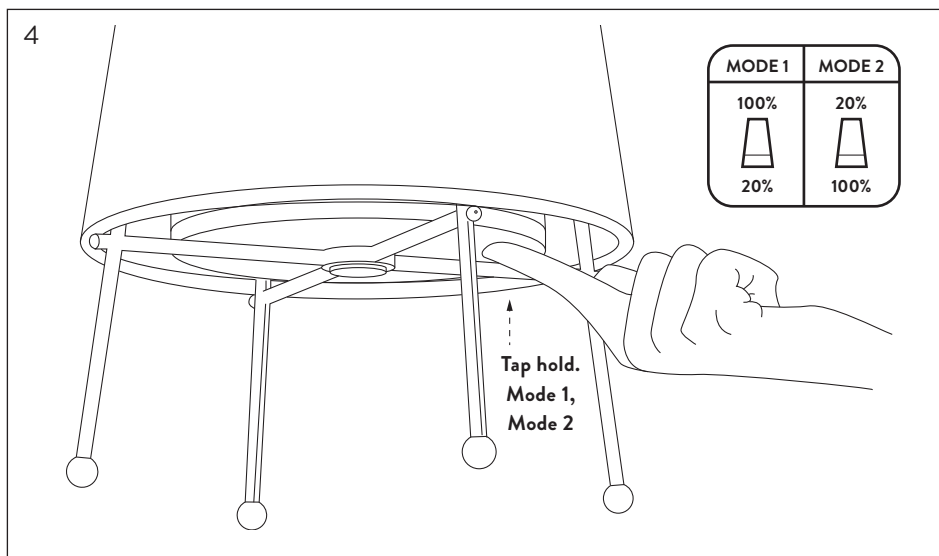
2. Quick tap at the lamp bottom to simply turn on/off the lamp. (it remembers the brightness from last time when it's turned off.)



3. **Dimming up:** Touch the lamp bottom and hold still, it gives a blink when it reaches 100% brightness.  
**Dimming down:** Remove hand and touch it again hold still, it gives a blink when it reaches 0% brightness.



5. Adjust the lamp feet by screwing them forward or backward.



4. **Mode 1:** Dim the lamp to maximum, and hold still 1 sec for 100% light on the top and 20% under.  
**Mode 2:** Dim the lamp to minimum, and hold still 1 sec for 20% light on the top and 100% under.