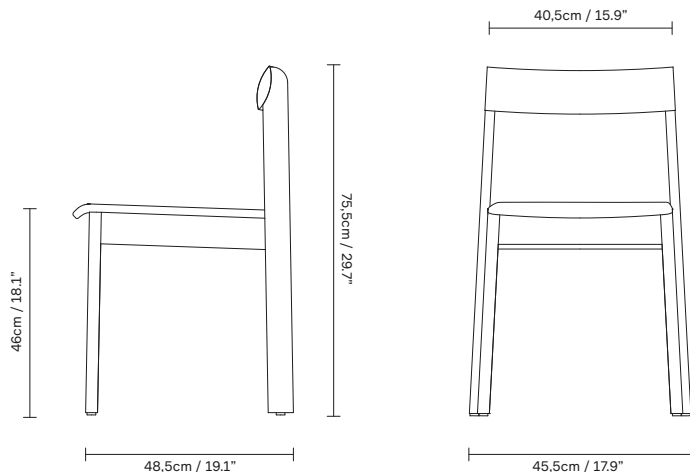


Blueprint Chair Upholstery

Product Fact Sheet

Blueprint Chair Upholstery

No. (2020) Blueprint Chair, Oak, Hallingdal - 0227 / No. (2021) Blueprint Chair, White Oak, Hallingdal - 0227 / No. (2022) Blueprint Chair, Black, Hallingdal - 0376



Dimensions:

W: 45,5 cm / 17.9", H: 75,5 cm / 29.7", D: 48,5 cm / 19.1", Seat H: 46 cm / 18.1"

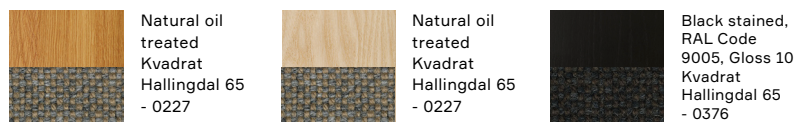
Product description:

This is an archetypal chair created by Form & Refine. The unusual seat shape, which was inspired by human anatomy, promotes good posture and provides excellent seating comfort. The organically shaped solid backrest gives the chair a minimalist and personal style. The combination of strong, solid legs and the Hallingdal upholstery lends the chair a surprisingly light and stunningly sharp visual appearance. The exquisite backrest is steam-bent and made from a single solid piece of wood. The upholstered seat comes in Hallingdal fabric and can be finished in a COM version (customer's own material).

Designer's thoughts:

"With this chair we searched to balance something refined and robust at the same time. We aimed for a chair with distinct character and gave it elongated back legs that smoothly grip the curved backrest. It should also be stackable, comfortable and fit into any environment." - Herman Studio

Finish:



Made-to-order:

Non-standard configurations (special colours etc.) are available upon request at a minimum order quantity.

Product type: Dining chair

Environment: Indoor

Material: Solid European oak and molded veneer seat. Fire retardant foam (density 30kg)

Fabric: Hallingdal 65 [Link to Kvadrat](#)

Country of origin: Bosnia-Herzegovina

Net weight: 5,5 kg / 12.1 lb

Designed by/year of design: Herman Studio, 2023

Features: Stackable up to five chairs. No visible screws

Note: Teflon gliders are installed as standard.

Pre-assembled: Yes

Contract use: Yes

Scope of application: Conference chair or dining chair

Test: EN 16139:2013, Furniture - Strength, durability and safety. Requirements for non-domestic seating. EN 16139 Test severity L1: General use: E.g. in office buildings, showrooms, public halls, function rooms, cafés, restaurants, canteens, banks, bars

Warranty: Form & Refine provides a five-year product warranty

Care guide Oiled Wood: [Link to download](#)

Care guide Lacquered or Stained Wood: [Link to download](#)

Additional resources: [Link to image bank, 2D/3D files](#)