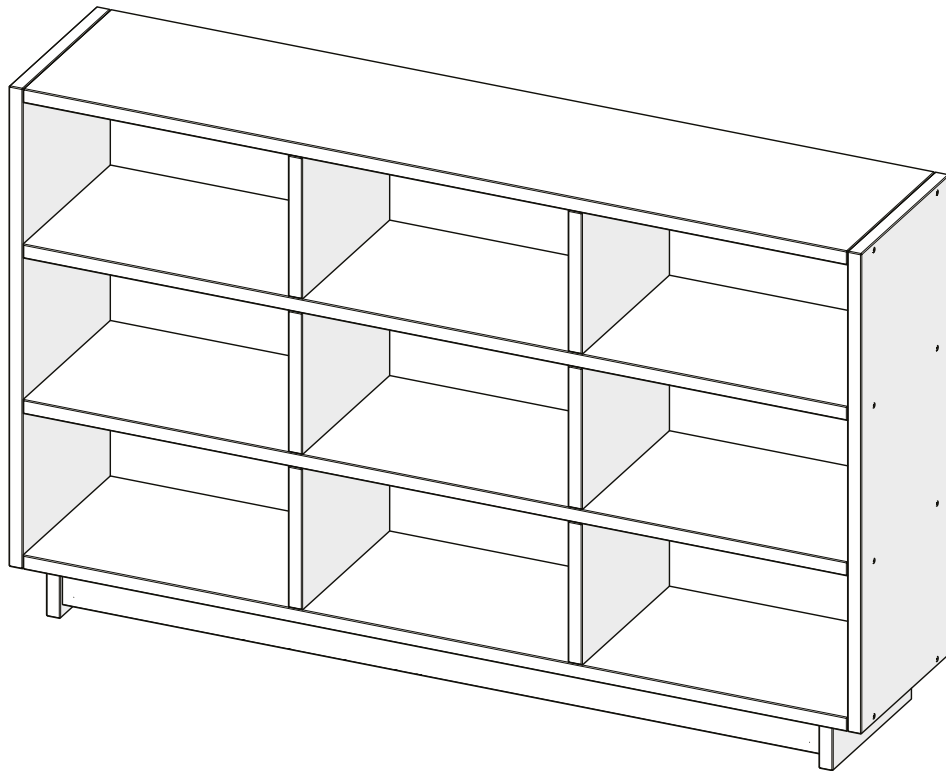


Plank Bookcase High

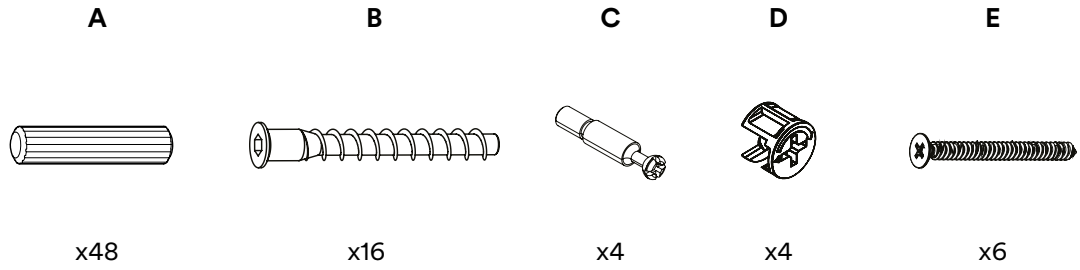
Assembly Instructions



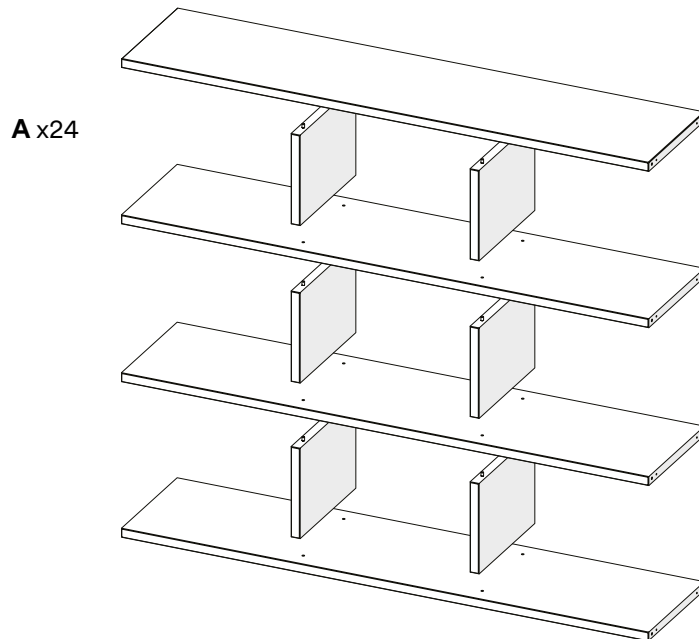
normann

C O P E N H A G E N

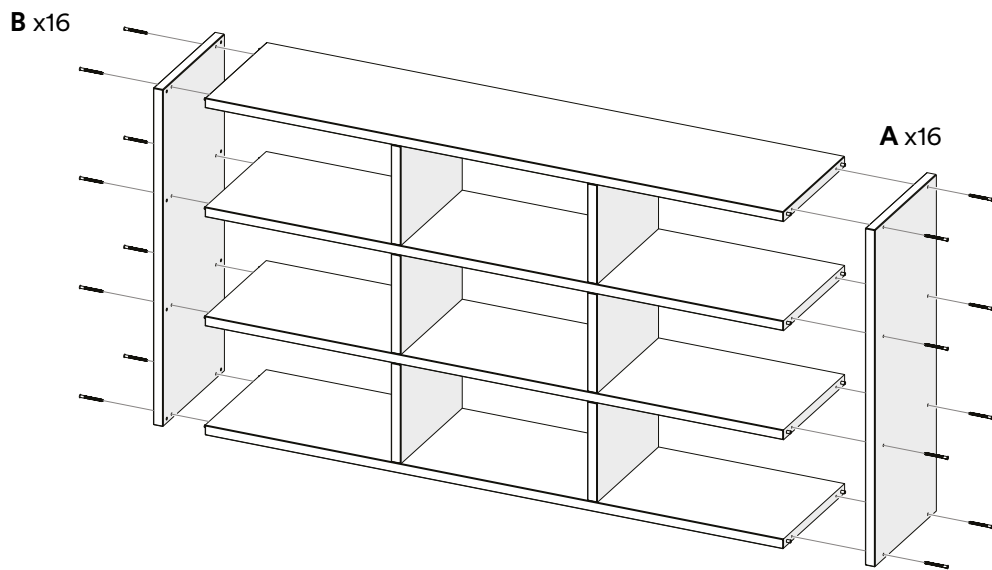
1



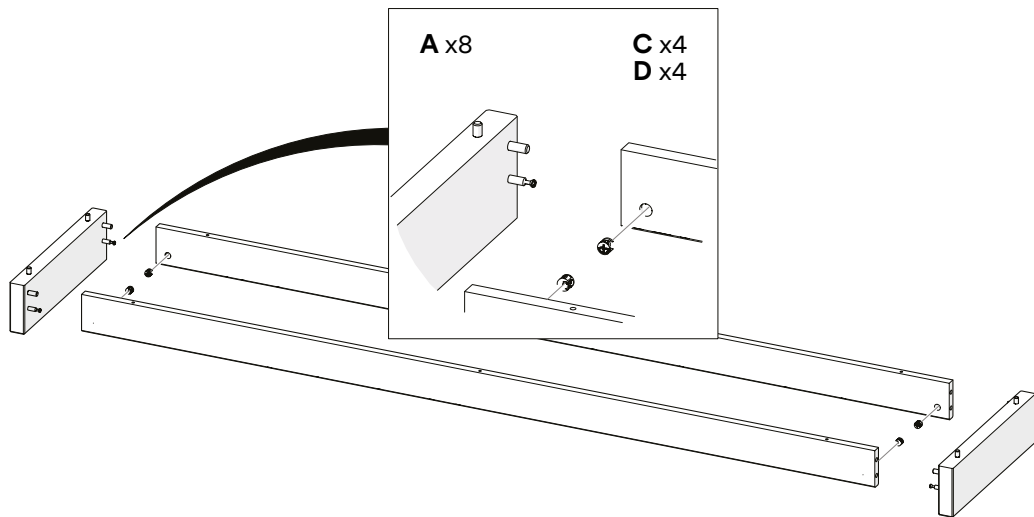
2



3



4



5

